

EN GUIDE TO INSTALLATION
FR GUIDE D'UTILISATION
PT MANUAL DE UTILIZAÇÃO
DE BEDIENUNGSANLEITUNG

#-V_e t\) 'Mh\ y~ @B''
') M@ou' @ u@ Vof - KQ) V@8'
SE GUIDE FÖR INSTALLATION
GR ΟΔΗΓΟΣ ΕΓΚΑΤΑΣΤΑΣΗΣ
AR دليل التركيب

Decorative Hood
Hotte decorative
Exaustor decorativo
Dekorative Dunstabzugshaube
Dekoratívni odsavač par
Dekoratív emhætte
Dekoratív spiskåpa
Διακοσμητικός απορροφητήρας
مداخن شفطات جمالية الشكل



Brandt

EN	2
FR	24
PT	44
DE	66
CZ	88
DK	109
SE	130
GR	151
AR	176

As part of our commitment to constantly improving our products, we reserve the right to make changes to them based on technical advances to their technical and functional features and appearance.



Warning :
Before installing and using your appliance, please carefully read this Guide to Installation and Use, which will allow you to quickly familiarise yourself with its operation.

1 / NOTICES TO THE USER	
• Safety recommendations _____	4
• Environmental protection _____	9
• Description of your appliance _____	10
2 / INSTALLING YOUR APPLIANCE	
• Using the evacuation mode _____	11
• Using the recycling mode _____	11
• Electrical connections _____	12
• Assembling the hood _____	13
• Assembling the ventilation shaft	
◦ Outdoor evacuation _____	14
◦ Recycling _____	15
3 / USING YOUR APPLIANCE	
• Description of control panel _____	16
4 / CARING FOR AND CLEANING YOUR APPLIANCE	
• Cleaning the filter cartridges _____	17
• Changing the carbon filter _____	17
• Cleaning the outer surfaces _____	18
• Changing the light bulb _____	18
• Maintaining your appliance _____	19
5 / TROUBLESHOOTING _____	20
6 / AFTER-SALES SERVICE _____	21

**Attention**

Keep this user guide with your appliance. If the appliance is ever sold or transferred to another person, ensure that the new owner receives the user guide. Please become familiar with these recommendations before installing and using your appliance . They were written for your safety and the safety of others.

Safety and important precautions



These instructions are also available on the Brandt web site.

Please take heed of this advice when installing and using your appliance. These instructions are intended to protect your safety and the safety of others. Keep this manual with your appliance. If you sell or give the appliance to anyone else, make sure that you also give them this manual.

- In order to constantly improve our products, we reserve the right to to make changes to their technical, functional or aesthetic characteristics in line with technological progress.
- Make a note of the references of your appliance on the "Consumer Service" page so that you can readily find them in future.

Important precautions

- This appliance is designed for use by consumers in the home. Do not use it for commercial or industrial purposes or for any other purpose for which it is not intended.
- Unpack the appliance as soon as you receive it. Check its general appearance. Make a note of any reservations on the delivery slip and keep a copy.
- This appliance can be used by children aged under 8 and by persons with diminished physical, sensory or mental capacities, or persons without any experience or knowledge, provided that they are properly attended to or are given the instructions on how to use the appliance in complete safety and that any potential risks are anticipated. Children must not play with this appliance. The appliance must not be cleaned and maintained by unattended children.
- Caution: The accessible parts of this appliance may become hot when used with cooking equipment.

Electrical risks

- All the power supply circuits must be disconnected before touching the connection terminals. If the power cord is damaged, it must be

replaced by the manufacturer, its after-sales service or a similarly qualified person in order to avoid any danger.

- The appliance can be disconnected by using an accessible power outlet or by incorporating a switch in the fixed lines, in accordance with the installation rules.
- Do not change or attempt to change the characteristics of this appliance. Doing so can be dangerous.
- The appliance must only be repaired by an approved specialist.
- Always disconnect the hood before cleaning or maintaining it.
- Never use steam or high-pressure tools to clean your appliance (for the purposes of electrical safety).
- The appliance can be disconnected by using an accessible power outlet or by incorporating a switch in the fixed lines, in accordance with the installation rules.
- Do not change or attempt to change the characteristics of this appliance. Doing so can be dangerous.
- The appliance must only be repaired by an approved specialist.
- Always disconnect the the hood before clean

ing or maintaining it.

- Never use steam or high-pressure tools to clean your appliance (for the purposes of electrical safety).

Risk of asphyxiation

- The regulations applying to the evacuation of air must be obeyed. The air must not be sent into a duct used to evacuate fumes from appliances that use gas or other fuels (this does not apply to appliances that only emit air into the room).
- The room must be suitably ventilated when the range hood is used at the same time as appliances that use gas or other fuels (this does not apply to appliances that only emit air into the room).

Risk of fire

- It is forbidden to flambé food or to turn on gas rings that are not covered by a cooking recipient beneath the hood, as the flames may be sucked in and damage the appliance.
- Keep a constant eye on fryers used beneath the hood. When heated to very high temperatures, oil and fat can catch fire.
- Clean the appliance and replace the filters at

the recommended frequency. Accumulated deposits of grease can cause a fire.

- It is forbidden to use the hood above a fuel fire (wood, coal, etc.).
- If the hood is installed above a gas-fired appliance, leave at least 70 cm between the top of the range and the underside of the hood. If the instructions of the range installed under the hood specify a distance greater than 70 cm, then this distance must be respected.

**Warning**

In the case of a kitchen heated by a device connected to a chimney (a stove, for example) the “recycling” version of the hood should be installed. Do not use the hood without metal filters.

Suitable ventilation should be provided in the room when the hood is used at the same time as appliances operated by gas or another combustible fuel.

• ENVIRONMENTAL PROTECTION

– This appliance's packaging material is recyclable. Help recycle it and protect the environment by dropping it off in the municipal receptacles provided for this purpose.

– Your appliance also contains a great amount of recyclable material. It is marked with this label to indicate the used appliances that should not be mixed with other waste. This way,



the appliance recycling organised by your manufacturer will be done under the best possible conditions, in compliance with European Directive 2002/96/EC on Waste Electrical and Electronic Equipment. Contact your town hall or your retailer for the used appliance collection points closest to your home.

– We thank you doing your part to protect the environment.

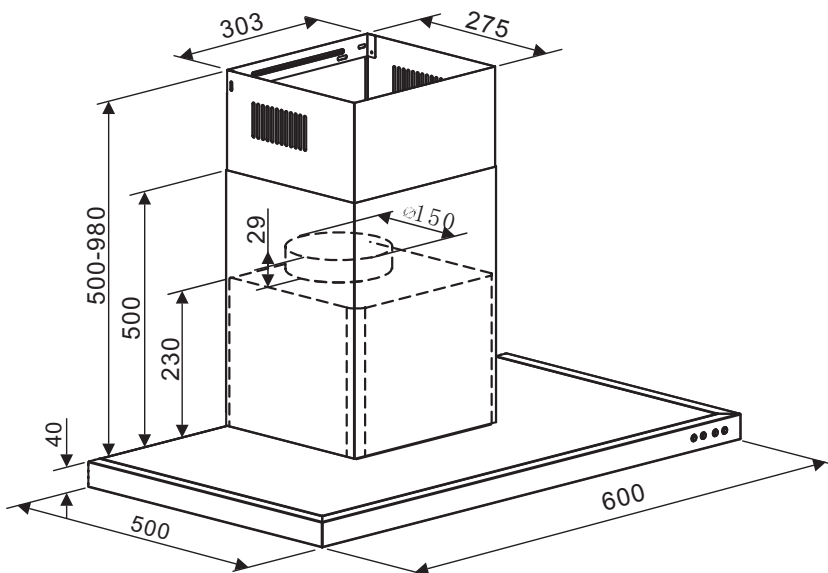
**Warning**

Installation should only be performed by installers and qualified technicians.

**Warning**

Remove the protective film from the cartridge filter before use.

• DESCRIPTION OF YOUR APPLIANCE

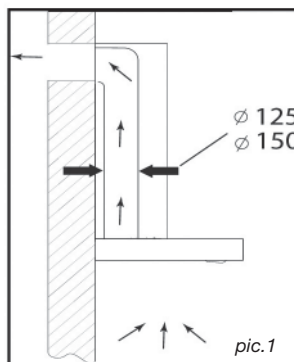


- The appliance must be unplugged during installation or when any repairs or maintenance work is being performed.
- Ensure that the network voltage corresponds to the voltage noted on the identification plate located inside the hood.
- If the electrical installation at your residence requires any changes in order to hook up your Appliance, call upon a professional electrician.
- If the hood is being used in evacuation mode, do not connect the appliance to a combustion gas exhaust duct (boiler, chimney, etc.) or to a CMV (controlled mechanical ventilation) system.
- Under no circumstances should the exhaust duct empty into the attic.
- Install the hood at a safe distance of at least 70 cm from an electric, gas or combined cooking hob.

• USING THE EVACUATION MODE

If you possess an outlet to the exterior
(pic. 1)

Your hood can be connected to this outlet using a flue (minimum diameter \varnothing mm that is enamelled, in aluminium, flexible or made of inflammable material). If your flue is less than 125 mm in diameter, **you must use the recycling mode.**

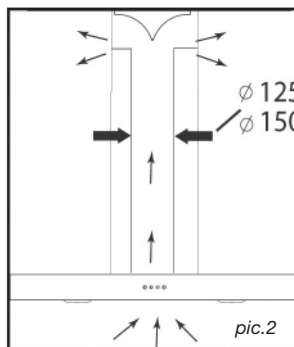


• USING THE RECYCLING MODE

If you do not possess an outlet to the exterior
(pic. 2)

All of our appliances can be used in recycling mode.

In this case, you should add an active carbon filter which will keep in odours. (See Chapter 4: Changing the carbon filter.)



Advice on how to save energy

To make optimal use of your appliance, keep the length of the duct and the number of bends in the duct to a strict minimum.

• ELECTRICAL CONNECTIONS

During installation and maintenance operations, the appliance must be unplugged from the electrical grid; fuses must be cut off or removed.

The electrical connections are made before the appliance is installed in its housing.

Ensure that:

- the electrical installation has sufficient voltage,
- the electrical wires are in good condition,
- the diameter of the wires complies with the installation requirements.

**Warning**

This appliance is delivered with a H 05 VVF power cord that has three- 0.75 mm² conductors (neutral, phase and ground). It must be connected to the main power supply (which should be a 220-240 V single phase current) via a CEI 60083 standardised socket that should remain accessible after installation, in keeping with installation guidelines.

We cannot be held responsible for any accident resulting from an inexistent, defective or incorrect ground lead. The fuse for your installation must be 10 or 16A. If the power cable is damaged, call the after-sales service department in order to avoid danger.

**Warning**

If the electrical installation at your residence requires any changes in order to hook up your appliance, call upon a professional electrician.

**Warning**

If the hood displays any malfunctions, unplug the appliance or remove the fuse corresponding to the electrical socket where your appliance is plugged in.

• ASSEMBLING THE HOOD



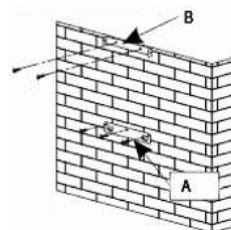
Warning

The hood must be installed in compliance with all applicable regulations concerning the ventilation of premises. In France these regulations are described in DTU 61.1 from the CSTB. In particular, the evacuated air should never be conveyed to a duct used to evacuate smoke from appliances that use gas or other combustible fuels. Unused ducts may only be used after approval from a competent specialist.

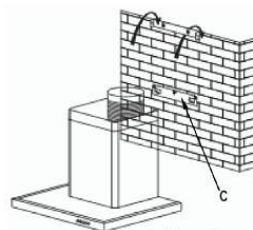
The minimum distance between the cooking surface and the lowest part of the hood must be 70 cm at least. If the instructions for the hob installed under the hood specify a distance of more than 70 cm, this requirement must be respected.

Fixing to the wall :

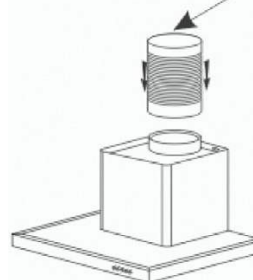
- Mark a vertical line on the wall centred on the cooktop.
- Mark on the wall the three holes that have to be drilled, using the supplied hood suspension hook and observing the recommended distance. (part A Pic. 1)
- Drill the three 8 mm diameter holes in a suitable position and insert the plugs.
- Before fixing the hood, mount the non-return valve on the motor outlet -Secure the hood's fixing support, ensuring that it is perfectly level. (part A Pic. 1)
- Fix the extendable evacuation sleeve (not included) to the motor outlet without impeding the movement of the non-return valve.(Pic. 3)
- Fit and secure the body of the hood on this support with the screws provided for this purpose. (Pic. 2)



Pict 1



Pict 2

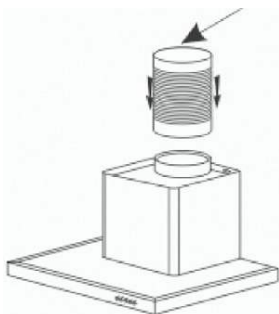


Pict 3

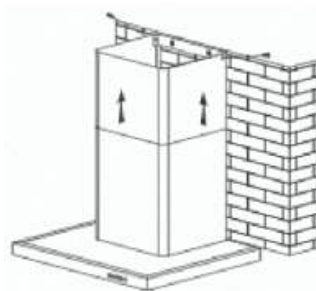
• **ASSEMBLING THE VENTILATION SHAFT**

• **Outdoor evacuation**

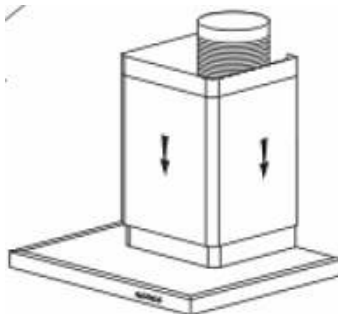
- Calculate the final height for fixing the duct support U-bracket (part B Pic. 1)
- Mark the two holes accordingly
- Drill 8 mm diameter holes and secure the duct support bracket, ensuring that it is fixed on the same axis as the hood (part B Pic. 1)
- Fix the flat bracket behind the lower duct.
- Fix the two ducts to the hood.(Pic. 5)
- Connect the sleeve to the air outlet to the outside.
- Make the electrical connection to the hood using the mains supply cable.
- Lift the upper duct up to the ceiling and fix it to the bracket using the screws.



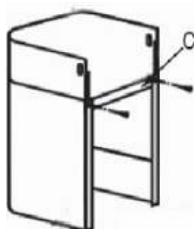
Pict 3



Pict 6



Pict 5



Pict 4

• Recycling

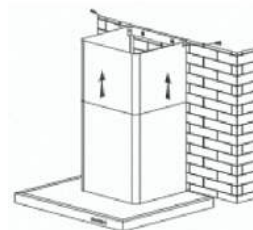
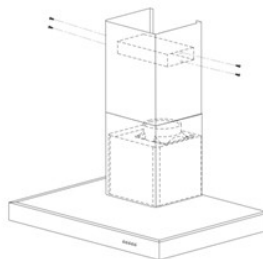
- Calculate the final height for fixing the duct support U-bracket.
- Mark the two holes.
- Drill 8 mm diameter holes and secure the duct support bracket, ensuring that it is fixed in the same axis as the hood.
- Fix the flat bracket behind the lower duct.
- Fit the sleeve adapter on the deflector (Pic. 8).
- Connect the extendable sleeve to the deflector.
- Fit the two parts of the duct on to the hood (Pic. 5).
- Fit the deflector (Pic. 8) into the upper duct by the ventilation inlets (Pic. 6)
- Make the electrical connection to the hood using the mains supply cable.
- Lift the upper duct up to the ceiling and fix it to the bracket using the two screws.



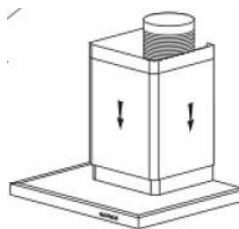
Pict 4



Pict 8



Pict 6



Pict 5



Tip

For optimal use of your appliance, we recommend that you connect the hood to a 150 mm-diameter flue (not delivered with the appliance). Minimise the number of angles and bends and the lengths of the flue. In the event that the hood will be operated using outdoor evacuation, you should ensure a sufficient inflow of fresh air to avoid a pressure deficiency in the room.

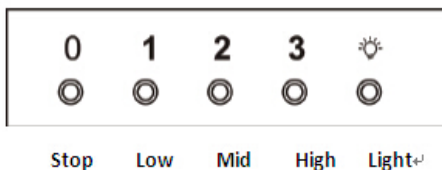


Warning

Do not use tools to remove the safety film of hood.

• DESCRIPTION OF CONTROL PANEL**Push button**

1. Push stop button, and the motor will stop.
2. Push the Low button, the buzzer will buzz once, and the motor runs at low speed.
3. Push the Mid button, the buzzer will buzz once, and the motor runs at mid speed.
4. Push the High button, the buzzer will buzz once, and the motor runs at high speed.
5. Push the light button and the two lights will come on. Push it again and the light will turn off.

**Advice on how to save energy**

Adjust the speed to the cooking method and the number of pans in use. It is preferable to use the rings at the back of the range.

**Warning**

Always unplug the hood before cleaning it or performing other maintenance acts. Regular maintenance of your appliance is a guarantee of proper functioning, good performance and durability.

**Warning**

Failure to respect the guidelines for cleaning the appliance and filters may cause fires. Please carefully adhere to the maintenance recommendations.

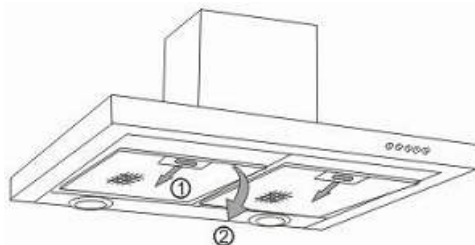
• **CLEANING THE FILTER CARTRIDGES**

They must be cleaned after approximately 30 hours of use or at least once a month.

Use a brush, hot water and mild detergent. Rinse and dry them thoroughly before returning them to the hood.

• **Dismantling the filter cartridge**

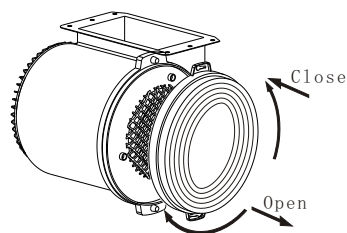
- Turn the built-in filter cartridge handle.
- Tilt the filter cartridge downward.



• **CHANGING THE CARBON FILTER (optional)**

Replace it after approximately 120 hours of use.

- Remove the filter cartridge.
- Turn the carbon filter to remove it.
- Do the operation in the reverse order to put a new filter back.
- Put the filter cartridges back.



• **CLEANING THE OUTER SURFACES**

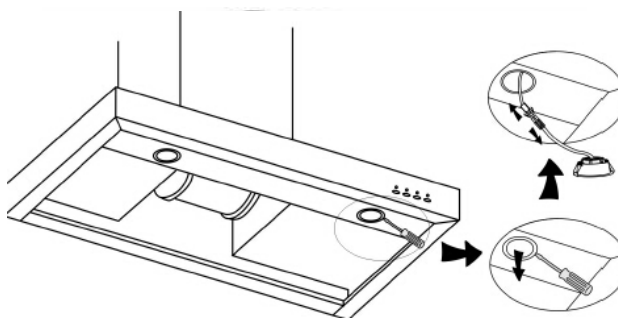
To clean the outside of your hood, use soapy water, but never use abrasive creams, corrosive detergents, scrubbing sponges or brushes. Wipe down with a soft, damp cloth.

• **CHANGING THE LIGHT BULB**

⚠ Warning *The power supply must be turned off before changing the light bulb, either by removing the plug or by using the circuit breaker switch.*

Model with LED light

- Remove the lighting port
- Change the LED light.
- Replace the bulb by repeating these steps in reverse order.



**Warning**

Before carrying out any work, the power supply to the hood must be turned off, either by unplugging it or by using the circuit breaker switch.

- **MAINTAINING YOUR APPLIANCE**

MAINTENANCE	WHAT TO DO	PRODUCTS/ACCESSORIES TO USE
Top surface and accessories	Never use metal scouring pads, abrasive products or excessively stiff brushes.	To clean the body and the lighting port, you should use only commercial household cleaning products diluted in water and then rinse using clean water, drying with a soft cloth.
Filter cartridge	This filter traps fatty vapours and dust. This component plays an important role in ensuring the effectiveness of your hood. In the event of tough stains, use a non-abrasive cream, then rinse with clean water.	Use a commercial household cleaning product then rinse abundantly and dry. These filters can be cleaned in a vertical position in your dishwasher. (Do not allow them to touch dirty dishes or silverware.)
Activated carbon filter	This filter traps odours and must be changed at least once a year depending on your level of use. You should order these filters from your dealer (quoting the reference shown on the identification plate located inside the hood) and note the date the filter was changed.	

SYMPTOMS	SOLUTIONS
The hood is not working...	Ensure that: <ul style="list-style-type: none">• The power is not cut off.• A speed has been selected.
The hood is not operating effectively...	Ensure that: <ul style="list-style-type: none">• The selected motor speed is sufficient for the quantity of smoke and vapours to be cleared.• The kitchen is sufficiently ventilated to allow for fresh air intake.• The carbon filter is not worn (hood operating in recycling mode).
The hood stopped working.	Ensure that: <ul style="list-style-type: none">• The power is not cut off.• The single-pole cut-off device was not activated.

Any maintenance on your equipment should be undertaken by :

- either your dealer,
- or another qualified mechanic who is an authorized agent for the brand appliances.

When making an appointment, state the full reference of your equipment (model, type and serial number). This information appears on the manufacturer's nameplate attached to your equipment.

EN Ecodesign information / Technical product fiche

This device complies with the delegated regulations (EU) 65/2014 and 66/2014 of the European Commission on the eco design requirements and energy labeling of household hoods.

	symbol	Value	Unit
Brand	Brandt		
Model number	AD1515X		
Annual energy consumption	AEC	56,1	kWh/annum
Energy efficiency index	EEi	62,5	-
Fluid dynamic efficiency index	FDE	24,3	-
Lighting efficiency index	LE	30,4	-
Grease filtering efficiency	GFE	77,2	-
Time increase factor	<i>f</i>	1,1	-
Maximum volumetric airflow of the cooker hood	Q _{max}	586,3	m ³ /h
Volumetric airflow at best efficiency point	Q _{BEP}	321,6	m ³ /h
Static pressure at the best efficiency point	P _{BEP}	354	p
Power consumption at the best efficiency point	W _{BEP}	130,3	W
Nominal power consumption of lighting system	W _L	5,2	W
Average illumination of the lighting system	E _{middle}	158	Lux/W
Power consumption in off mode	P _o	0.00	W
Power consumption in standby mode	P _s	-	W
Volumetric airflow at the highest speed setting in normal use	-	586,3	m ³ /h
Volumetric airflow at the lowest speed setting in normal use	-	360,2	m ³ /h
Volumetric airflow in intensive or boost mode	-	-	m ³ /h
Sound power emissions at the highest speed setting in normal use	-	70	dB(LWA)
Sound power emissions at the lowest speed setting in normal use	-	60	dB(LWA)
Sound power emissions in intensive / boost mode	-	-	dB(LWA)

Dans le souci d'une amélioration constante de nos produits, nous nous réservons le droit d'apporter à leurs caractéristiques techniques, fonctionnelles ou esthétiques toutes modifications liées à leur évolution.



Important :

Avant de mettre votre appareil en marche, veuillez lire attentivement ce guide d'installation et d'utilisation afin de vous familiariser plus rapidement avec son fonctionnement.

1 / A L'ATTENTION DE L'UTILISATEUR	
• Consignes de sécurité _____	25
• Respect de l'environnement _____	30
• Description de votre appareil _____	31
2 / INSTALLATION DE VOTRE APPAREIL	
• Utilisation en version évacuation _____	32
• Utilisation en version recyclage _____	32
• Raccordement électrique _____	33
• Montage de la hotte _____	34
• Montage de la cheminée	
° Evacuation extérieure _____	35
° Recyclage _____	36
3 / UTILISATION DE VOTRE APPAREIL	
• Description des commandes _____	37
4 / ENTRETIEN ET NETTOYAGE DE VOTRE APPAREIL	
• Nettoyage des filtres cassettes _____	38
• Changement du filtre charbon _____	38
• Nettoyage de la surface extérieure _____	39
• Changement de la lampe _____	39
• Entretenir votre appareil _____	40
5 / ANOMALIES DE FONCTIONNEMENT _____	41
6 / SERVICE APRES-VENTE	
• Interventions _____	42
• Relations consommateurs _____	42

**Important**

Conservez cette notice d'utilisation avec votre appareil. Si l'appareil devait être vendu ou cédé à une autre personne, assurez-vous que la notice d'utilisation l'accompagne. Merci de prendre connaissance de ces conseils avant d'installer et d'utiliser votre appareil. Ils ont été rédigés pour votre sécurité et celle d'autrui.

Sécurité et précautions importantes

Cette notice est également disponible sur le site internet de la marque Brandt. Merci de prendre connaissance de ces conseils avant d'installer et d'utiliser votre appareil. Ils ont été rédigés pour votre sécurité et celle d'autrui. Conservez cette notice d'utilisation avec votre appareil. Si l'appareil devait être vendu ou cédé à une autre personne, assurez-vous que la notice d'utilisation l'accompagne.

- Dans le souci d'une amélioration constante de nos produits, nous nous réservons le droit d'apporter à leurs caractéristiques techniques, fonctionnelles ou esthétiques toutes modifications de leurs caractéristiques liées à l'évolution technique.
- Afin de retrouver aisément les références de votre appareil, nous vous conseillons de les noter en page "Service et Relations Consommateurs".

Précautions importantes

- Cet appareil a été conçu pour être utilisé par des particuliers dans leur lieu d'habitation. Ne l'utilisez pas à des fins commerciales ou industrielles ou pour d'autres buts que celui pour lequel il a été conçu.
- A la réception de l'appareil, déballer-le ou faites le déballer immédiatement. Vérifiez son aspect général. Faites les éventuelles réserves par écrit sur le bon de livraison dont vous gardez un exemplaire.
- Cet appareil peut être utilisé par des enfants d'au moins 8 ans et par des personnes ayant des capacités physiques, sensorielles, ou mentales réduites ou dénuées d'expérience ou de connaissance, s'ils (si elles) sont correctement surveillé(e)s ou si des instructions relatives à l'utilisation de l'appareil en toute sécurité leur ont été données et si les risques encourus ont été appréhendés. Les enfants ne doivent pas jouer avec l'appareil. Le nettoyage et l'entretien par l'utilisateur ne doivent pas être effectués par les enfants sans surveillance.
- Attention : Les parties accessibles de cet appareil peuvent devenir chaudes lorsqu'il est utilisé avec des appareils de cuisson.

Risques électriques

- Avant d'accéder aux bornes de raccordement, tous les circuits d'alimentation doivent être déconnectés. Si le câble d'alimentation est endommagé, il doit être remplacé par le fabricant, son service après-vente ou une personne de qualification similaire afin d'éviter un danger.
- La déconnexion peut être obtenue en prévoyant une fiche de prise de courant accessible ou en incorporant un interrupteur dans les canalisations fixes conformément aux règles d'installation.
- Ne modifiez pas ou n'essayez pas de modifier les caractéristiques de cet appareil. Cela représenterait un danger pour vous.
- Les réparations doivent être exclusivement effectuées par un spécialiste agréé.
- Débranchez toujours la hotte avant de procéder à son nettoyage ou à son entretien.
- N'utilisez jamais d'appareils à vapeur ou à haute pression pour nettoyer votre appareil (exigences relatives à la sécurité électrique).

Risques d'asphyxie

- Les réglementations concernant l'évacuation de l'air doivent être respectées. L'air ne doit pas être envoyé dans un conduit utilisé pour

évacuer les fumées d'appareils utilisant du gaz ou un autre combustible (ne s'applique pas aux appareils qui renvoient uniquement l'air dans la pièce).

- Une ventilation convenable de la pièce doit être prévue lorsqu'une hotte de cuisine est utilisée simultanément avec des appareils utilisant du gaz ou un autre combustible (ne s'applique pas aux appareils qui renvoient uniquement l'air dans la pièce).

Risques d'incendie

- Il est interdit de flamber des aliments ou de faire fonctionner des foyers gaz sans récipients de cuisson, au dessous de la hotte (les flammes aspirées risqueraient de détériorer l'appareil).

- Les fritures effectuées sous l'appareil doivent faire l'objet d'une surveillance constante. Les huiles et graisses portées à très haute température peuvent prendre feu.

- Respectez la fréquence de nettoyage et de remplacement des filtres. L'accumulation de dépôts de graisse risque d'occasionner un incendie.

- Le fonctionnement au dessus d'un foyer à combustible (bois, charbon...) n'est pas

autorisé.

- Lorsque la hotte de cuisine est placée au dessus d'un appareil à gaz, la distance minimale entre le dessus de la table et le dessous de la hotte doit être d'au moins 70 cm. Si les instructions de la table de cuisson installée sous la hotte spécifient une distance plus grande que 70 cm, celle-ci doit être prise en compte.

**Attention**

Dans le cas d'une cuisine chauffée avec un appareil raccordé à une cheminée (ex : poêle), il faut installer la hotte en version recyclage. Ne pas utiliser la hotte sans les filtres cassettes. Une ventilation convenable de la pièce doit être prévue lorsqu'une hotte de cuisine est utilisée simultanément avec des appareils utilisant du gaz ou un autre combustible.

• RESPECT DE L'ENVIRONNEMENT

– Les matériaux d'emballage de cet appareil sont recyclables. Participez à leur recyclage et contribuez ainsi à la protection de l'environnement en les déposant dans les conteneurs municipaux prévus à cet effet.

– Votre appareil contient également de nombreux matériaux recyclables. Il est donc marqué de ce logo afin de vous indiquer que les appareils usagés ne doivent pas être mélangés avec d'autres déchets. Le recyclage des appareils qu'organise votre fabricant sera ainsi réalisé dans les meilleures conditions, conformément à la directive européenne 2002/96/CE sur les déchets d'équipements électriques et électroniques.



Adressez vous à votre mairie ou à votre revendeur pour connaître les points de collecte des appareils usagés les plus proches de votre domicile.

– Nous vous remercions pour votre collaboration à la protection de l'environnement.

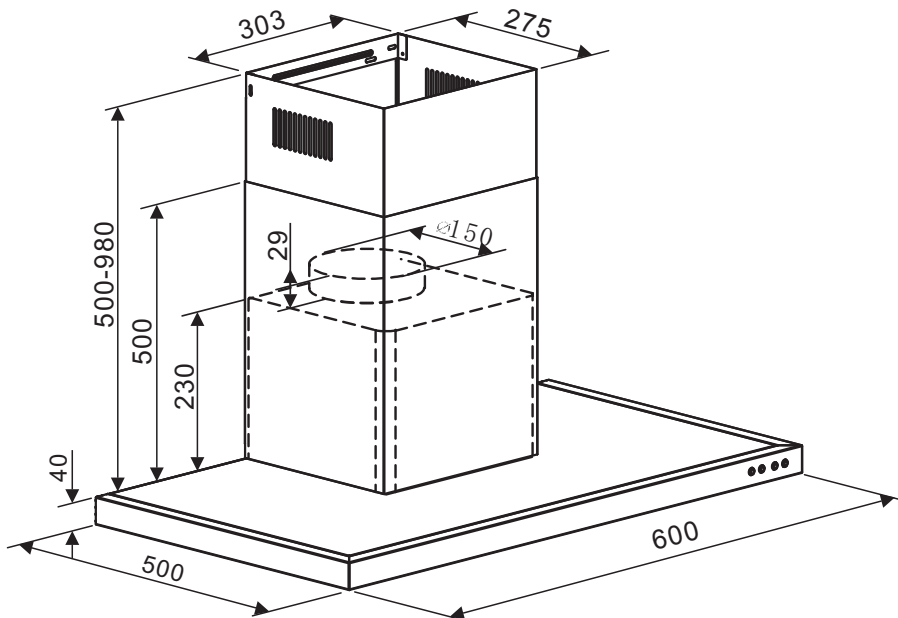
**Attention**

L'installation est réservée aux installateurs et techniciens qualifiés.

**Attention**

Avant la première utilisation du filtre cassette, retirez le film de protection.

• DESCRIPTION DE VOTRE APPAREIL

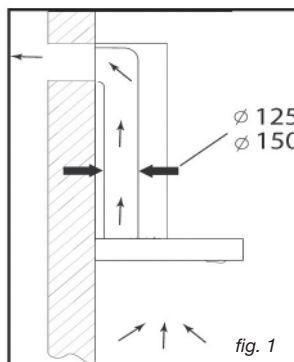


- L'appareil doit être débranché pendant l'installation ou dans l'éventualité d'une intervention.
- Vérifiez que la tension du réseau correspond à la tension mentionnée sur la plaque signalétique située à l'intérieur de la hotte.
- Si l'installation électrique de votre habitation nécessite une modification pour le branchement de votre appareil, faites appel à un électricien qualifié.
- Si la hotte est utilisée en version évacuation, ne raccordez pas l'appareil à un conduit d'évacuation de fumées de combustion (chaudière, cheminée, etc...) ou à une VMC (ventilation mécanique contrôlée).
- Le conduit d'évacuation, quel qu'il soit ne doit pas déboucher dans les combles.
- Installez la hotte à une distance de sécurité d'au moins 70cm d'un plan de cuisson électrique, gaz ou mixte.

• UTILISATION EN VERSION EVACUATION

Vous possédez une sortie vers l'extérieur
(fig. 1)

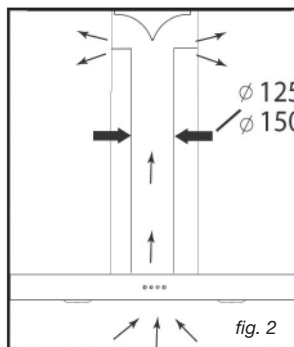
Votre hotte peut être raccordée sur celle-ci par l'intermédiaire d'une gaine d'évacuation (minimum \varnothing 125 mm, émaillée, en alu, flexible ou en matière ininflammable). Si votre gaine est inférieure à 125 mm de diamètre, **passez obligatoirement en mode recyclage**.



• UTILISATION EN VERSION RECYCLAGE

Vous ne possédez pas de sortie vers l'extérieur
(fig. 2)

Tous nos appareils ont la possibilité de fonctionner en mode recyclage. Dans ce cas, ajoutez un filtre à charbon actif qui retiendra les odeurs. (voir Chapitre 4: Changement du filtre charbon)



Conseil d'économie d'énergie

Pour une utilisation optimale de votre appareil, limiter au maximum le nombre de coude et la longueur de la gaine.

• RACCORDEMENT ELECTRIQUE

Lors de l'installation et des opérations d'entretien, l'appareil doit être débranché du réseau électrique, les fusibles doivent être coupés ou retirés.

Le raccordement électrique est à réaliser avant la mise en place de l'appareil dans le meuble.

Vérifiez que:

- la puissance de l'installation est suffisante,
- les lignes d'alimentation sont en bon état
- le diamètre des fils est conforme aux règles d'installation.



Attention

Este aparato se suministra con un cable. Cet appareil est livré avec un câble d'alimentation H 05 VVF à 3 conducteurs de 0,75 mm² (neutre, phase et terre). Il doit être branché sur réseau 220-240 V monophasé par l'intermédiaire d'une prise de courant normalisée CEI 60083 qui doit rester accessible après installation, conformément aux règles d'installation.

Notre responsabilité ne saurait être engagée en cas d'accident consécutif à une mise à la terre inexistante ou incorrecte. Le fusible de votre installation doit être de 10 ou 16 A. Si le câble d'alimentation est endommagé, faites appel au service après-vente afin d'éviter un danger.



Attention

Si l'installation électrique de votre habitation nécessite une modification pour le branchement de votre appareil, faites appel à un électricien qualifié.



Attention

Si la hotte présente une quelconque anomalie, débranchez l'appareil ou enlevez le fusible correspondant à la ligne de branchement de l'appareil.

• MONTAGE DE LA HOTTE



Attention

L'installation doit être conforme aux règlements en vigueur pour la ventilation des locaux. En France, ces règlements sont indiqués dans le DTU 61.1 du CSTB. En particulier, l'air évacué ne doit pas être envoyé dans un conduit utilisé pour évacuer les fumées d'appareils utilisant du gaz ou autre combustible. L'utilisation de conduits désaffectés ne peut se faire qu'après accord d'un spécialiste compétent.

La distance minimale entre le plan de cuisson et la partie la plus basse de la hotte doit être de 70 cm. au minimum. Si les instructions de la table de cuisson installée sous la hotte spécifient une distance plus grande que 70 cm, celle-ci doit être prise en compte.

Fixation au mur :

- Tracez une ligne sur le mur, centré et à la verticale de votre plan de cuisson.
- Tracez sur le mur les 3 trous que vous devez percer en utilisant le crochet de suspension de la hotte fourni et en respectant la distance conseillée (pièce A fig. 1).
- Percez les 3 trous de 8mm à l'emplacement adéquat et insérez les chevilles.
- Avant de raccorder la hotte, monter le clapet anti-retour sur la sortie moteur.
- Fixez le support de fixation de la hotte en veillant à ce qu'il soit parfaitement de niveau (pièce A fig. 1).
- Fixez la gaine extensible d'évacuation (non fournie) sur la sortie moteur sans gêner le mouvement du clapet anti-retour (fig. 3).
- Posez et fixez le corps de la hotte sur ce support avec les vis prévues en dotation (fig. 2).

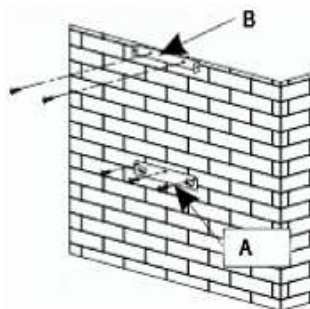


Fig. 1

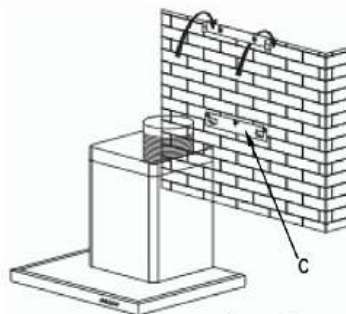


Fig. 2

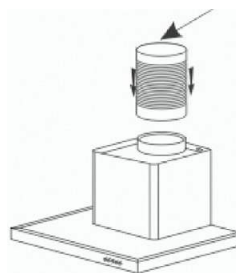


Fig. 3

• **MONTAGE DE LA CHEMINÉE**

• **Evacuation extérieure**

- Calculez la hauteur finale pour fixer l'étrier en U de support de la cheminée (pièce B fig. 1).
- Tracez les 2 trous à l'endroit adapté.
- Percez les 2 trous de 8mm et fixez l'étrier de support de la cheminée en faisant attention qu'il soit bien dans l'axe de la hotte (pièce B fig. 1).
- Fixez l'étrier plat à l'arrière de la cheminée inférieure.
- Posez les 2 cheminées sur la hotte (fig. 5).
- Raccordez la gaine à la sortie de l'air vers l'extérieur.
- Effectuez le raccordement électrique de la hotte au moyen du câble d'alimentation.
- Soulever la cheminée supérieure jusqu'au plafond et la fixer à l'étrier à l'aide des vis.

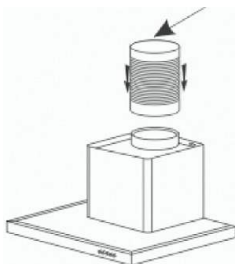


Fig. 3

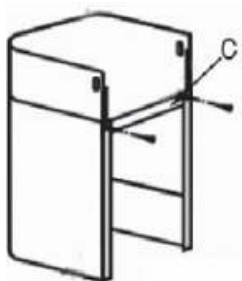


Fig. 4

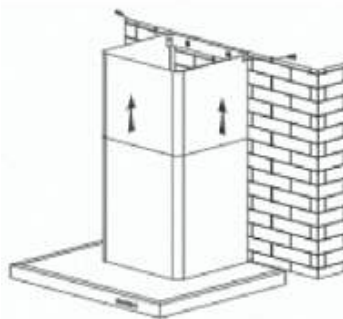


Fig. 6

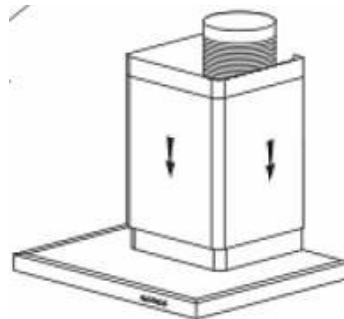


Fig. 5

• Recyclage

- Calculez la hauteur finale pour fixer l'étrier de support de la cheminée.
- Tracez les 2 trous à l'endroit adapté.
- Percez les 2 trous de 8mm et fixez l'étrier de support de la cheminée en faisant attention qu'il soit bien dans l'axe de la hotte.
- Fixez l'étrier plat à l'arrière de la cheminée inférieure.
- Installez l'adaptateur de gaine sur le déflecteur (fig. 8).
- Raccordez la gaine extensible au déflecteur.
- Posez la cheminée composée de 2 parties sur la hotte (fig. 5).
- Installez le déflecteur (fig. 8) dans la cheminée supérieure au niveau des ouïes d'aération (fig. 6).
- Effectuez le raccordement électrique de la hotte au moyen du câble d'alimentation.
- Soulevez la cheminée supérieure jusqu'au plafond et la fixez à l'étrier à l'aide des 2 vis.

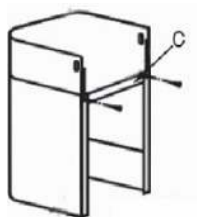


Fig. 4



Fig. 8

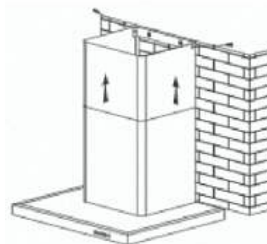
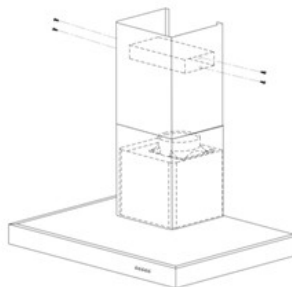


Fig. 6

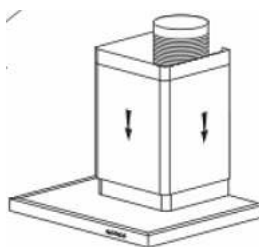


Fig. 5



Conseil

Pour une utilisation optimale de votre appareil, nous vous conseillons le raccordement à une gaine diamètre 150 mm (non livrée). Limiter au maximum le nombre de coude et la longueur de la gaine. Dans le cas où la hotte fonctionne en évacuation extérieure, il convient d'assurer une arrivée d'air frais suffisante pour éviter de mettre la pièce en dépression.

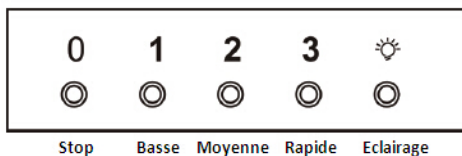


Attention

Ne pas utiliser d'outils pour enlever le film de protection transparent sur les parois.

• DESCRIPTION DES COMMANDES**Bouton-poussoir**

1. Appuyez sur la touche stop et le moteur s'arrête.
2. Appuyez sur le bouton basse vitesse, l'avertisseur sonore retentit une fois et le moteur tourne à basse vitesse.
3. Appuyez sur le bouton moyenne vitesse, l'avertisseur sonore retentit une fois et le moteur tourne à moyenne vitesse.
4. Appuyez sur le bouton vitesse rapide, l'avertisseur sonore retentit une fois et le moteur tourne à vitesse rapide.
5. Appuyez sur le bouton éclairage et les deux lampes s'allument. Appuyez à nouveau et elles s'éteignent.

** Conseil d'économie d'énergie**

Ajuster votre vitesse au mode de cuisson et au nombre de casseroles. Privilégier les foyers arrières de votre appareil de cuisson.

**Attention**

Débranchez l'appareil avant de procéder à l'entretien et au nettoyage de l'appareil. Un entretien régulier de votre appareil est une garantie de bon fonctionnement, de bon rendement et de durabilité.

**Attention**

Le non-respect des instructions de nettoyage de l'appareil et des filtres peut occasionner des incendies. Veuillez respecter strictement les consignes d'entretien.

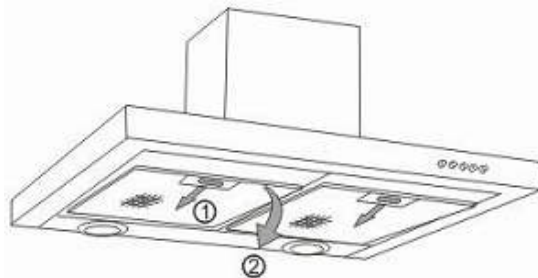
• NETTOYAGE DES FILTRES CASSETTES

Ils doivent être nettoyés toutes les 30 heures d'utilisation environ ou une fois par mois minimum.

Utilisez une brosse, de l'eau chaude et un détergent doux. Rincez-les et séchez-les soigneusement avant de les remettre en place.

• Démontage du filtre cassette

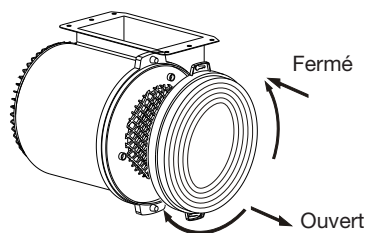
- Pivotez la poignée intégrée du filtre cassette.
- Basculez le filtre cassette vers le bas.



• CHANGEMENT DU FILTRE CHARBON

Remplacez-le toutes les 120 heures d'utilisation environ.

- Retirez les filtres cassettes.
- Tourner le filtre charbon pour le retirer.
- Faire l'opération inverse pour remettre un nouveau filtre.
- Remettre les filtres cassettes.



- **NETTOYAGE DE LA SURFACE EXTERIEURE**

Pour nettoyer l'extérieure de votre hotte utilisez de l'eau savonneuse, mais n'utilisez jamais de crèmes à récurer, de détergents corrosif, ni d'éponge grattoir ou brosse. Essuyez avec un chiffon humide et doux.

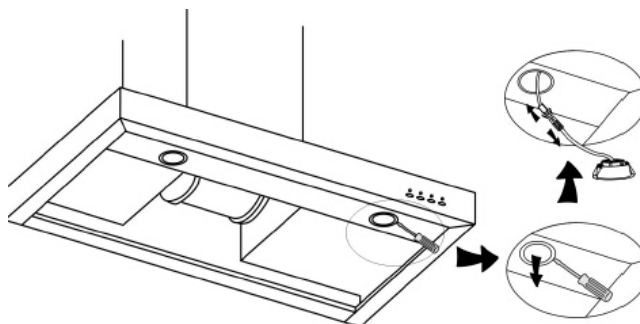
- **CHANGEMENT DE LAMPE**

**Attention**

Déconnecter l'appareil lors du changement de l'ampoule, soit en retirant la prise, soit en actionnant le disjoncteur.

Modèle avec lampe LED

- Retirez le hublot
- Changez la lampe LED
- Remplacez l'ensemble en effectuant les opérations en sens inverse.



**Attention**

Avant toute intervention, la hotte doit être mise hors tension, soit en retirant la prise, soit en actionnant le disjoncteur.

• **ENTRETIEN VOTRE APPAREIL**

ENTRETIEN...	COMMENT PROCEDER ?	PRODUITS/ACCESSOIRES A UTILISER
Enveloppe et accessoires	N'utilisez jamais de tampons métalliques, de produits abrasifs ou de brosses trop dures.	Pour nettoyer la carrosserie et le hublot d'éclairage, utilisez exclusivement des nettoyeurs ménagers du commerce dilués dans de l'eau, puis rincez à l'eau claire et essuyez avec un chiffon doux.
Filtre cassette	Ce filtre retient les vapeurs grasses et les poussières. Il est l'élément assurant une part importante de l'efficacité de votre hotte. Dans le cas de taches persistantes, utilisez une crème non abrasive, puis rincez à l'eau claire.	Avec un nettoyeur ménager du commerce, puis rincez abondamment et séchez. Ce nettoyage peut être effectué dans votre lave-vaisselle en position verticale (ne pas mettre en contact avec de la vaisselle sale ou des couverts en argent).
Filtre charbon actif	Ce filtre retient les odeurs et doit être changé au moins tous les ans en fonction de votre utilisation. Commandez ces filtres chez votre revendeur (sous la référence indiquée sur la plaque signalétique située à l'intérieur de la hotte) et notez la date de changement.	

SYMPTOMES	SOLUTIONS
La hotte ne fonctionne pas...	Vérifiez que: <ul style="list-style-type: none">• il n'y a pas de coupure de courant.• une vitesse a été effectivement sélectionnée.
La hotte a un rendement insuffisant...	Vérifiez que: <ul style="list-style-type: none">• la vitesse moteur sélectionnée est suffisante pour la quantité de fumée et de vapeur dégagée.• la cuisine est suffisamment aérée pour permettre une prise d'air.• le filtre à charbon n'est pas usagé (hotte en version recyclage).
La hotte s'est arrêtée au cours du fonctionnement	Vérifiez que: <ul style="list-style-type: none">• il n'y a pas de coupure de courant.• le dispositif à coupure omnipolaire ne s'est pas enclenché.

1- RELATIONS CONSOMMATEURS FRANCE

Pour en savoir plus sur nos produits ou nous contacter, vous pouvez:

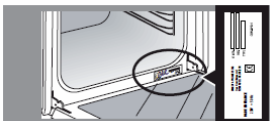
- consulter notre site : www.brandt.fr
- nous écrire à l'adresse postale suivante :
Service Consommateurs BRANDT
5 avenue des Béthunes
CS69526 SAINT OUEN L'AUMONE
95060 CERGY PONTOISE CEDEX
- nous appeler du lundi au vendredi de 8h30 à 18h00 au :

0 892 02 88 01 Service 0,50 € / min
+ prix appel

Service fourni par Brandt France, S.A.S. au capital social de 100.000.000 euros
RCS Nanterre 801 250 531.

2- INTERVENTIONS FRANCE

Les éventuelles interventions sur votre appareil doivent être effectuées par un professionnel qualifié dépositaire de la marque. Lors de votre appel, afin de faciliter la prise en charge de votre demande, munissez-vous des références complètes de votre appareil (référence commerciale, référence service, numéro de série). Ces renseignements figurent sur la plaque signalétique.



OU



A		B		C
SERVICE :		TYPE :		
C		D		H
E		F		
No.		G		

B : Référence commerciale
C : Référence service
H : Numéro de série

Vous pouvez nous contacter du lundi au samedi de 8h00 à 20h00 au :

09 69 39 25 25 Service gratuit
+ prix appel

Pièces d'origine :

Lors d'une intervention, demandez l'utilisation exclusive de pièces détachées certifiées d'origine.



FR Information Eco Design / Fiche technique produit

Cet appareil est conforme aux règlements délégués (UE) 65/2014 et 66/2014 de la Commission Européenne, concernant les exigences d'écoconception et d'étiquetage énergétique des hottes domestiques.

	Symbole	Valeur	Unité
Marque	Brandt		
Référence du produit	AD1515X		
Consommation annuelle d'énergie	AEC	56,1	kWh/annum
Index d'efficacité énergétique	EEl	62,5	-
Index d'efficacité fluidodynamique	FDE	24,3	-
Index d'efficacité lumineuse	LE	30,4	-
Index d'efficacité de filtration	GFE	77,2	-
Facteur d'accroissement dans le temps	<i>f</i>	1,1	-
Débit d'air maximum de la hotte	Q_{max}	586,3	m ³ /h
Débit d'air au point de rendement maximal	Q_{BEP}	321,6	m ³ /h
Pression d'air au point de rendement maximal	P_{BEP}	354	P
Consommation d'énergie au point de rendement maximal	W_{BEP}	130,3	W
Consommation d'énergie du système d'éclairage	W_L	5,2	W
Eclairage moyen du système d'éclairage	E_{middle}	158	Lux/W
Consommation d'énergie à l'arrêt	P_o	0	W
Consommation d'énergie en veille	P_s	-	W
Débit d'air à la vitesse maximale en usage normal	-	586,3	m ³ /h
Débit d'air à la vitesse minimale en usage normal	-	360,2	m ³ /h
Débit d'air en mode intensif ou boost	-	-	m ³ /h
Emission acoustique à la vitesse maximale en usage normal	-	70	dB(LWA)
Emission acoustique à la vitesse minimale en usage normal	-	60	dB(LWA)
Emission acoustique en mode intensif	-	-	dB(LWA)

Com o objectivo de melhorar constantemente os nossos produtos, reservamo-nos o direito de modificar as respectivas características técnicas, funcionais ou estéticas por motivos ligados a avanços técnicos.



Importante:

Antes de colocar o seu aparelho em funcionamento, leia atentamente este manual de instalação e utilização para se familiarizar mais rapidamente possível com o seu funcionamento.

1 / INFORMAÇÕES DESTINADAS AO UTILIZADOR	
• Instruções de segurança _____	46
• Protecção do ambiente _____	52
• Descrição do aparelho _____	53
2 / INSTALAÇÃO DO APARELHO	
• Utilização na versão de evacuação _____	54
• Utilização na versão de reciclagem _____	54
• Ligação eléctrica _____	55
• Montagem do exaustor _____	56
• Montagem da chaminé	
° Evacuação exterior _____	57
° Reciclagem _____	58
3 / UTILIZAÇÃO DO APARELHO	
• Descrição dos comandos _____	59
4 / MANUTENÇÃO E LIMPEZA DO APARELHO	
• Limpeza dos filtros cassete _____	60
• Substituição do filtro de carvão _____	60
• Limpeza da superfície exterior _____	61
• Substituição da lâmpada _____	61
• Manutenção do exaustor _____	62
5 / ANOMALIAS DE FUNCIONAMENTO _____	63
6 / SERVIÇO TÉCNICO _____	64

**Importante**

Guarde este guia de utilização junto do aparelho. Se o aparelho for vendido ou cedido a outra pessoa, tenha o cuidado de remeter igualmente o manual de utilização. Leia estas recomendações antes de instalar e utilizar o aparelho. Estas recomendações foram redigidas para a sua segurança e a segurança dos outros.

Segurança e precauções importantes

Este manual está igualmente disponível no site Internet da marca Brandt.

Queira tomar conhecimento destes conselhos antes de instalar e utilizar o seu aparelho. Estes foram redigidos para a sua segurança e a dos outros. Conserve este manual de utilização com o seu aparelho. Se o aparelho for vendido ou cedido a uma outra pessoa, certifique-se de entregar junto o manual de utilização.

- Para o melhoramento constante dos nossos produtos, reservamo-nos o direito de introduzir nas características técnicas, funcionais ou estéticas todas as modificações de características ligadas à evolução técnica.
- Para encontrar facilmente no futuro as referências do seu aparelho, aconselhamos anotá-las na página “Serviço aos Consumidores”.

Precauções importantes

- Este aparelho foi concebido para ser utilizado por particulares no seu lugar de habitação. Não o utilizar para fins comerciais ou industriais ou para outros objetivos diferentes daqueles para os quais foi concebido.
- À receção do aparelho, desembale-o ou faça-o desembalar imediatamente. Verifique o seu aspeto geral. Faça as eventuais reservas por escrito no formulário de entrega, do qual deverá guardar um exemplar.
- Este aparelho pode ser utilizado por crianças de ao menos 8 anos de idade e por pessoas com capacidades físicas, sensoriais ou mentais reduzidas ou desprovidas de experiência ou de conhecimentos, se estas forem corretamente vigiadas, ou se lhes tiverem sido dadas instruções relativas à utilização do aparelho com toda a segurança e os riscos incorridos tiverem sido compreendidos. Crianças não devem brincar com o aparelho. A limpeza e a conservação pelo utilizador não devem ser efetuadas por crianças sem vigilância.

- **Atenção:** As partes acessíveis deste aparelho podem ficar quentes quando for utilizado com aparelhos de cozimento. Riscos

Riscos elétricos

- Antes de aceder aos terminais de ligação, todos os circuitos de alimentação elétrica devem ser desconectados. Se o cabo elétrico estiver deteriorado, deve ser substituído pelo fabricante, pelo seu serviço pós-venda ou por uma pessoa de qualificação similar, para evitar um perigo.
- Para o desligamento, pode-se prever uma tomada de eletricidade acessível ou incorporar um interruptor nas canalizações fixas, conforme as regras de instalação.
- Não modifique nem tente modificar as características deste aparelho. Isto constituiria um perigo para você.
- As reparações devem ser efetuadas exclusivamente por um especialista autorizado.
- Desconecte sempre o exaustor antes de proceder à sua limpeza ou conservação.

- Nunca utilize aparelhos a vapor ou a alta pressão para limpar o seu aparelho (exigências relativas à segurança elétrica).
- Para o desligamento, pode-se prever uma tomada de eletricidade acessível ou incorporar um interruptor nas canalizações fixas, conforme as regras da instalação.
- Não modifique nem tente modificar as características deste aparelho. Isto constituiria um perigo para você.
- As reparações devem ser efetuadas exclusivamente por um especialista autorizado.
- Desconecte sempre o exaustor antes de proceder à sua limpeza ou conservação.
- Nunca utilize aparelhos a vapor ou a alta pressão para limpar o seu aparelho (exigências relativas à segurança elétrica)

Risco de asfixia

- As regulamentações referentes à evacuação do ar devem ser respeitadas. O ar não deve ser enviado a um conduto utilizado para evacuar fumos de aparelhos que utilizem gás ou um outro combustível (não se aplica

aos aparelhos que difundem unicamente ar no local).

- Uma ventilação conveniente do local deve ser prevista quando um exaustor de cozinha é utilizado simultaneamente a aparelhos que utilizam gás ou um outro combustível (não se aplica aos aparelhos que difundem unicamente ar no local).

Riscos de incêndio

- É proibido flambar alimentos ou fazer funcionar lumes a gás sem um recipiente de cozedura, sob o exaustor (as chamas aspiradas arriscariam deteriorar o aparelho).
- As frituras efetuadas sob o aparelho devem ser objeto de uma vigilância constante. Azeites e gorduras levados a temperaturas muito elevadas podem inflamar.
- Respeite a frequência de limpeza e de substituição dos filtros. A acumulação de depósitos de gordura pode ocasionar um incêndio.
- O funcionamento acima de um lume de combustível (madeira, carvão) não é autorizado.

- Quando o exaustor de cozinha é colocado acima de um aparelho a gás, a distância mínima entre o topo da placa de cozinha e a parte inferior do exaustor deve ser de ao menos 70 cm. Se as instruções da placa de cozinha instalada sob o exaustor especificarem uma distância superior a 70 cm, esta distância deve ser respeitada.

**Atenção**

No caso de a cozinha ser aquecida com um aparelho ligado a uma chaminé (ex.: fogão de sala), é necessário instalar o exaustor na sua versão de reciclagem. Não utilize o exaustor sem os filtros cassete.

Dever-se-á prever uma ventilação adequada da cozinha sempre que o exaustor seja utilizado simultaneamente com aparelhos que utilizam gás ou outro combustível qualquer.

• PROTECÇÃO DO AMBIENTE

— Os materiais e embalagem deste aparelho são recicláveis. Por isso, participe na reciclagem dos mesmos e contribua, assim, para a protecção do ambiente, depositando-os nos contentores municipais previstos para este efeito.

— Este aparelho também contém muitos materiais recicláveis. Por esta razão, está marcado com este símbolo a fim de lhe indicar que os aparelhos usados não devem ser misturados com os restantes resíduos. A reciclagem dos aparelhos organizada pelo fabricante será, pois, efectuada nas melhores condições possíveis, de acordo com a directiva europeia 2002/96/CE sobre os resíduos de equipamentos eléctricos e electrónicos. Consulte a sua câmara municipal ou o revendedor de forma a encontrar os pontos de recolha para aparelhos utilizados mais próximos de sua casa.



— Agradecemos, desde já, a sua colaboração na protecção do ambiente.

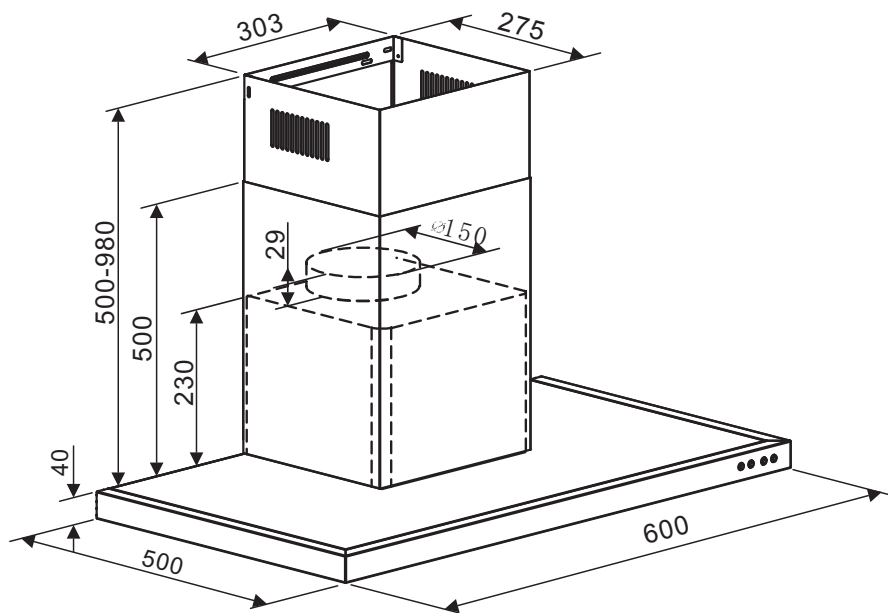
**Atenção**

A instalação do exaustor é reservada aos instaladores e técnicos qualificados.

**Atenção**

Antes da primeira utilização do filtro cassete, retire a película de protecção.

• DESCRIÇÃO DO APARELHO

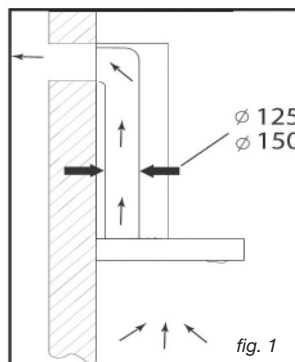


- O exaustor deve estar desligado durante a sua instalação ou em caso de intervenção.
- Verifique se a tensão da rede eléctrica corresponde à tensão mencionada na placa de características situada no interior do exaustor.
- Se a instalação eléctrica da sua residência necessitar de uma alteração para a ligação do exaustor, contacte um electricista qualificado.
- Se o exaustor for utilizado na sua versão de evacuação, não o ligue a uma conduta de evacuação de fumos de combustão (caldeira, chaminé, etc.) ou a um sistema de ventilação mecânica controlada.
- A conduta de evacuação, seja de que tipo for, não deve desembocar em águas furçadas.
- Instale o exaustor a uma distância mínima de segurança de 70 cm em relação à placa de cozinha eléctrica, a gás ou mista.

• UTILIZAÇÃO NA VERSÃO DE EVACUAÇÃO

A sua instalação possui uma saída para o exterior (fig. 1)

O exaustor pode ser ligado a esta saída através de um tubo de evacuação (\varnothing mínimo 125 mm, esmaltado, em alumínio, ou em material não inflamável). Se o tubo tiver um diâmetro inferior a 125 mm, **passa obrigatoriamente para o modo reciclagem.**



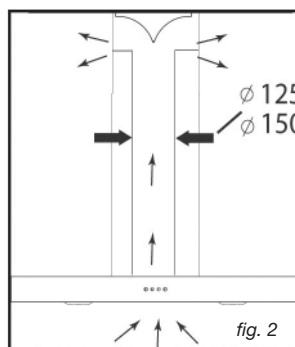
• UTILIZAÇÃO NA VERSÃO DE RECICLAGEM

A sua instalação não possui saída para o exterior (fig. 2)

Todos os nossos aparelhos têm a possibilidade de funcionar em modo reciclagem.

Neste caso, acrescente um filtro de carvão activo que captará os cheiros.

(Ver Capítulo 4: Substituição do filtro de carvão).



Conselho de economia de energia

Para uma ótima utilização do seu aparelho, limitar ao máximo o número de curvas e o comprimento da manga.

• LIGAÇÃO ELÉCTRICA

Durante a instalação e as operações de manutenção, o exaustor deve ser desligado da corrente eléctrica e os fusíveis devem ser cortados ou retirados.

A ligação eléctrica deve ser realizada antes de o aparelho ser instalado no armário.

Verificar se:

- a instalação tem potência suficiente,
- os fios eléctricos estão em boas condições.
- o diâmetro dos fios está em conformidade com os requisitos de instalação.



Atenção

Este aparelho é vendido com um cabo eléctrico H 05 VVF de 3 condutores de 0,75 mm² (neutro, fase e terra), devendo este ser ligado a uma rede monofásica de 220-240 V através de uma tomada eléctrica normalizada CEI 60083, que, de acordo com as regras de instalação, deve ficar acessível após a instalação.

Declinamos qualquer responsabilidade em caso de acidente ocasionado por uma ligação à terra inexistente ou incorrecta. O fusível da sua instalação deve ser de 10 ou 16 A. Se o cabo eléctrico estiver danificado, contacte o serviço pós-venda a fim de evitar qualquer perigo.



Atenção

Se a instalação eléctrica da sua residência necessitar de uma alteração para a ligação do exaustor, contacte um electricista qualificado.



Atenção

Se o exaustor apresentar qualquer anomalia, desligue o aparelho ou retire o fusível correspondente à linha de ligação do mesmo.

• MONTAGEM DO EXAUSTOR DECORATIVO



Atenção

A instalação deve cumprir os requisitos dos regulamentos em vigor para a ventilação dos locais. Em França, estes regulamentos são indicados no DTU 61.1 do CSTB. Designadamente, o ar evacuado não deve ser enviado para uma conduta utilizada para a evacuação de fumos de aparelhos a gás ou utilizando outros combustíveis. A utilização de tubos desafectados só pode ser feita após acordo de um especialista competente.

A distância mínima entre a placa de cozinha e a parte mais baixa do exaustor deverá ser de 70 cm, no mínimo. Se as instruções da placa de cozinha instalada sob o exaustor especificarem uma distância superior a 70 cm, esta deverá ser levada em consideração.

Fixação na parede:

- Trace uma linha na parede, centrada e verticalmente à placa de cozinha.
- Trace na parede os 3 orifícios que tem de fazer utilizando o gancho de suspensão do exaustor fornecido e respeitando a distância aconselhada (peça A da fig. 1).
- Faça os 3 orifícios de 8 mm no local adequado e insira as buchas.
- Fixe o suporte de fixação do exaustor, certificando-se de que fica totalmente nivelado (peça A fig. 1).
- Antes de ligar o exaustor, monte a válvula de retenção na saída do motor.
- Fixe o tubo extensível de evacuação (não fornecido) na saída do motor sem obstruir o movimento da válvula de retenção (fig. 3).
- Coloque e fixe o corpo do exaustor neste suporte com os parafusos previstos para esse fim (fig. 2).

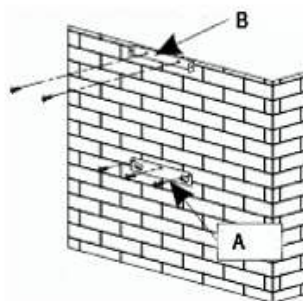


fig. 1

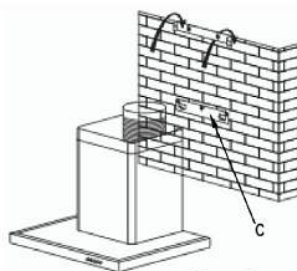


fig. 2

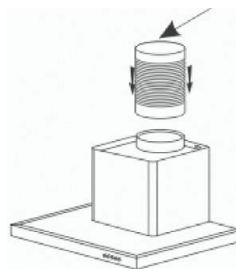


fig. 3

• **MONTAGEM DA CHAMINÉ**

• **Evacuação exterior**

- Calcule a altura final para fixar o apoio em U do suporte da chaminé (peça B da fig. 1).
- Marque os 2 orifícios no local adequado.
- Faça os 2 orifícios de 8 mm e fixe o apoio do suporte da chaminé certificando-se de que fica exactamente no eixo do exaustor (peça B da fig. 1).
- Fixe o apoio plano na parte de trás da chaminé inferior.
- Coloque as 2 chaminés sobre o exaustor (fig. 5).
- Ligue o tubo à saída de ar para o exterior.
- Efectue a ligação eléctrica do exaustor com o cabo de alimentação.
- Levante a chaminé superior até ao tecto e fixe-a no apoio com parafusos.

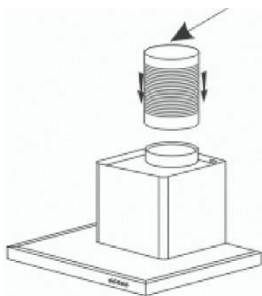


fig. 3



fig. 4

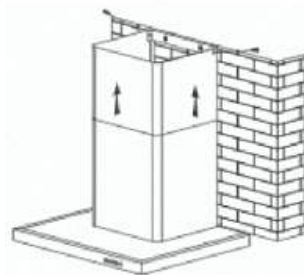


fig. 6

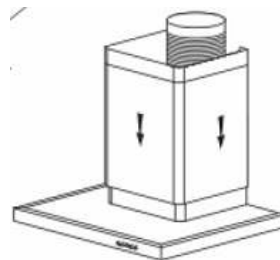


fig. 5

• Reciclagem

- Calcule a altura final para fixar o apoio de suporte à chaminé.
- Marque os 2 orifícios no local adequado.
- Faça os 2 orifícios de 8 mm e fixe o apoio do suporte da chaminé certificando-se de que fica exactamente no eixo do exaustor.
- Fixe o apoio plano na parte de trás da chaminé inferior.
- Coloque as 2 chaminés sobre o exaustor (fig. 5).
- Ligue a capa da saída de ar para o exterior.
- Efectue a ligação eléctrica do exaustor através do cabo de alimentação.
- Levante a chaminé superior até ao tecto e fixe-a no apoio com os 2 parafusos.

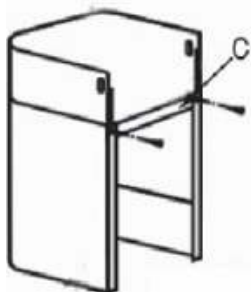


fig. 4



fig. 8

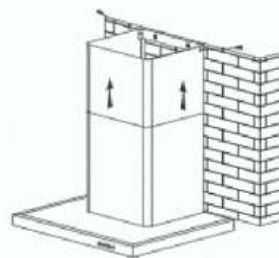
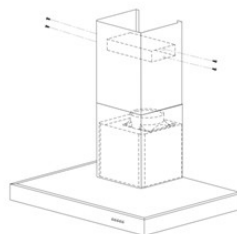


fig. 6

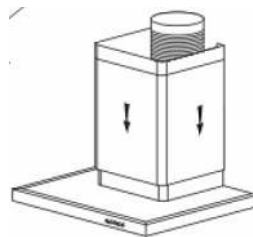


fig. 5



Conselho

Para uma utilização ideal do exaustor, aconselhamos que a ligação seja efectuada a um tubo com 150 mm de diâmetro (vendido separadamente). Limite ao máximo o número de cotovelos e o comprimento do tubo. Se o exaustor funcionar com uma evacuação exterior, convém assegurar-se da existência de uma entrada de ar exterior suficientemente grande para evitar colocar a cozinha em depressão.

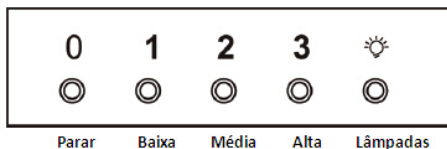


Atenção

Não utilize ferramentas para retirar a película de protecção transparente dos painéis.

• **DESCRIÇÃO DOS COMANDOS**

1. Premindo o botão Stop (Parar), o motor pára.
2. Premindo o botão de baixa velocidade, o alarme sonoro toca uma vez e o motor funcionará a baixa velocidade.
3. Premindo o botão de velocidade média, o alarme sonoro toca uma vez e o motor funcionará a velocidade média.
4. Premindo o botão de alta velocidade, o alarme sonoro toca uma vez e o motor funcionará a velocidade rápida.
5. Premindo o botão de iluminação, as duas lâmpadas acendem-se. Prima novamente e elas apagam-se.



Conselho de economia de energia

Ajustar a sua velocidade ao modo de cozedura e ao número de caçarolas. Privilegiar os lumes traseiros do seu aparelho de cozedura

**Atenção**

Desligue o aparelho antes de proceder à sua limpeza e manutenção. Uma manutenção periódica do aparelho é uma garantia para o seu devido funcionamento, bom rendimento e durabilidade.

**Atenção**

O não cumprimento das instruções de limpeza do aparelho e dos filtros pode provocar incêndios. Respeite absolutamente as instruções de manutenção.

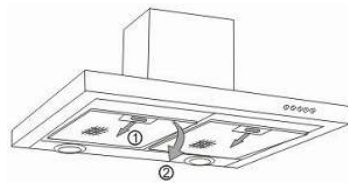
• LIMPEZA DOS FILTROS CASSETE

Devem ser limpos após 30 horas de utilização ou no mínimo uma vez por mês.

Lave-os com uma escova, água quente e um detergente suave. Passe-os por água e seque-os cuidadosamente antes de os voltar a instalar.

• *Desmontagem dos filtros cassete*

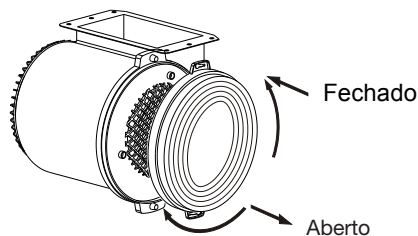
- Rode a pega integrada do filtro cassete.
- Incline o filtro cassete para baixo.



• SUBSTITUIÇÃO DO FILTRO DE CARVÃO (opcional)

Substitua o filtro de carvão após 120 horas de utilização aproximadamente.

- Retire os filtros cassete.
- Rode o filtro de carvão para o retirar.
- Faça a operação inversa para instalar um novo filtro.
- Volte a instalar os filtros cassete.



• LIMPEZA DA SUPERFÍCIE EXTERIOR

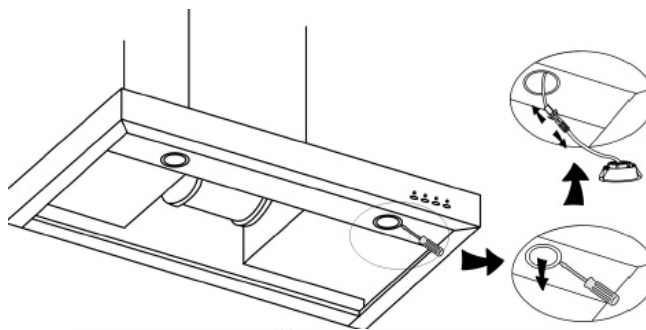
Para limpar a parte exterior do exaustor, utilize água com um detergente; não utilize cremes abrasivos, detergentes corrosivos, nem o esfregão das esponjas, nem escovas. Seque com um pano macio e húmido.

• SUBSTITUIÇÃO DA LÂMPADA**Atenção**

Antes de efectuar qualquer intervenção, desligue o exaustor da corrente eléctrica, quer retirando a ficha da tomada, ou accionando o disjuntor.

Modelo com lâmpada de LED

- Retire o visor
- Substitua a lâmpada de LED.
- Volte a instalar todos os elementos, efectuando as operações no sentido inverso.



**Atenção**

Antes de efectuar qualquer intervenção, desligue o exaustor da corrente eléctrica, quer retirando a ficha da tomada, ou accionando o disjuntor.

• **MANUTENÇÃO DO EXAUSTOR**

MANUTENÇÃO	COMO PROCEDER?	PRODUTOS/ACESSÓRIOS A UTILIZAR
Campânula e acessórios	Nunca utilize esfregões metálicos, produtos abrasivos ou escovas demasiado duras.	Para limpar a parte exterior e a vigia de iluminação, utilize exclusivamente produtos de limpeza domésticos vendidos no comércio diluídos em água, em seguida enxagúe com água limpa e seque com um pano macio.
Filtro cassete	Este filtro absorve os vapores gordurosos e as poeiras. Este elemento desempenha uma importante função na eficácia do exaustor. Se houver manchas persistentes, utilize um detergente creme não abrasivo e passe por água limpa.	Com um produto de limpeza doméstico vendido no comércio, em seguida enxagúe e seque. A sua limpeza pode ser efectuada na máquina de lavar louça colocados na vertical. (Não pôr em contacto com louça suja ou talheres de prata).
Filtro de carvão activo	Este filtro absorve os cheiros e deve ser substituído pelo menos todos os anos em função da sua utilização. Encomende filtros no seu revendedor (através da referência indicada na placa de características situada dentro do exaustor) e anote a data de substituição.	

SINTOMAS	SOLUÇÕES
O exaustor não funciona...	Verificar se: <ul style="list-style-type: none">• não há um corte de electricidade.• foi realmente seleccionada uma velocidade.
O rendimento do exaustor é insuficiente...	Verificar se: <ul style="list-style-type: none">• a velocidade do motor seleccionada é suficiente para a quantidade de fumo e vapor libertada.• a ventilação da cozinha é suficiente para permitir a entrada de ar.• o filtro de carvão não está gasto (exaustor na versão de reciclagem).
O exaustor parou durante o seu funcionamento	Verificar se: <ul style="list-style-type: none">• não há um corte de electricidade.• o dispositivo de corte ominoplar não se activou.

As intervenções de que o aparelho necessite devem ser realizadas

- pelo revendedor;
- por outro profissional qualificado autorizado pela marca.

Ao chamá-los, indique a referência completa do seu aparelho (modelo, tipo e número de série). Estas informações figuram na placa de identificação fixada no aparelho.

PT Informação Ecodesign / Ficha técnica do produto

Este aparelho está conforme os regulamentos delegados (UE) 65/2014 e 66/2014 da Comissão europeia sobre os requisitos de eco design e etiquetas energéticas de campânulas domésticas.

	Símbolo	Valor	Unidade
Marca	Brandt		
Número do modelo	AD1515X		
Consumo energético anual	AEC	56,1	kWh/annum
Índice de eficiência energética	EEi	62,5	-
Índice de eficiência dinâmica do fluido	FDE	24,3	-
Índice de eficiência de iluminação	LE	30,4	-
Eficiência de filtragem de gordura	GFE	77,2	-
Fator de aumento de tempo	<i>f</i>	1,1	-
Fluxo de ar volumétrico máximo da campânula	Q_{max}	586,3	m ³ /h
Fluxo de ar volumétrico no melhor ponto de eficiência	Q_{BEP}	321,6	m ³ /h
Pressão estática no melhor ponto de eficiência	P_{BEP}	354	P
Consumo energético no melhor ponto de eficiência	W_{BEP}	130,3	W
Consumo de potência nominal do sistema de iluminação	W_L	5,2	W
Iluminação média do sistema de iluminação	E_{middle}	158	Lux/W
Consumo energético em modo desligado	P_o	0	W
Consumo energético em modo standby	P_s	-	W
Fluxo de ar volumétrico na posição de velocidade máxima, no modo Normal	-	586,3	m ³ /h
Fluxo de ar volumétrico na posição de velocidade mínima, no modo Normal	-	360,2	m ³ /h
Fluxo de ar volumétrico no modo Intensivo/Impulso	-	-	m ³ /h
Emissões de potência sonora na posição de velocidade máxima, no modo Normal	-	70	dB(L _{WA})
Emissões de potência sonora na posição de velocidade mínima, no modo Normal	-	60	dB(L _{WA})
Emissões de potência sonora no modo Intensivo/Impulso	-	-	dB(L _{WA})

Mit dem Ziel die konstante Verbesserung unserer Produkte zu gewährleisten, behalten wir uns das Recht vor, an ihnen Änderungen der technischen Eigenschaften oder am Design vorzunehmen, die einen technischen Fortschritt bedeuten.



Wichtig:

Lesen Sie die Anleitung für die Installation und Benutzung bitte aufmerksam durch, bevor Sie dieses Produkt in Betrieb nehmen, um sich so schnell wie möglich mit seiner Funktionsweise vertraut zu machen.

1 / WAS DER BENUTZER BEACHTEN SOLLTE	
• Hinweise für die Sicherheit _____	68
• Hinweise zum Schutz der Umwelt _____	74
• Beschreibung des Geräts _____	75
2 / INSTALLATION DES GERÄTS	
• Benutzung in der Absaugfunktion _____	76
• Benutzung in der Umluftfunktion _____	76
• Elektrischer Anschluss _____	77
• Montage der Dunstabzugshaube _____	78
• Montage der Rohrabdeckung	
◦ Absaugung nach außen _____	79
◦ Umluft _____	80
3 / BENUTZUNG DES GERÄTS	
• Beschreibung der Steuerung _____	81
4 / REINIGUNG UND INSTANDHALTUNG DES GERÄTS	
• Reinigung der Modulfilter _____	82
• Wechsel des Kohlefilters _____	82
• Reinigung der Oberflächen außen _____	83
• Lampe austauschen _____	83
• Instandhaltung des Geräts _____	84
5 / ANOMALIEN IM BETRIEB _____	85
6 / TECHNISCHER KUNDENDIENST _____	86



Wichtig

Bewahren Sie diese Bedienungsanleitung mit dem Gerät auf. Wenn Sie es verkaufen oder an eine andere Person weiter geben, versichern Sie sich darüber, dass auch das Handbuch zur Bedienung beiliegt. Lesen Sie bitte diese Hinweise aufmerksam durch, bevor Sie das Gerät anschließen oder benutzen. Sie wurden für Ihre Sicherheit und für die der Allgemeinheit verfasst.

**Wichtige Sicherheits- und
Vorsichtsmaßnahmen**



Diese Gebrauchsanleitung steht auch auf der Website der Marke Brandt zur Verfügung.

Bitte nehmen Sie vor der Installation und Nutzung dieses Geräts die hierin enthaltenen Hinweise zur Kenntnis. Sie wurden für Ihre Sicherheit und die Sicherheit anderer abgefasst. Bitte bewahren Sie diese Gebrauchsanleitung mit Ihrem Gerät auf. Sollte das Gerät einer anderen Person verkauft oder überlassen werden, müssen Sie sich vergewissern, dass dies nur in Begleitung der Gebrauchsanleitung erfolgt.

- Da wir darum bemüht sind, unsere Produkte kontinuierlich zu verbessern, behalten wir uns das Recht vor, ihre technischen, betrieblichen oder ästhetischen Eigenschaften auf der Grundlage der technischen Entwicklung nach Belieben zu verändern.

- Damit Sie die Kenndaten Ihres Geräts in Zukunft problemlos wiederfinden, raten wir Ihnen, sie auf der Seite "Kundendienst" dieser Gebrauchsanleitung zu notieren.

Wichtige Vorsichtsmaßnahmen

- Dieses Gerät wurde für die private Nutzung im Haushalt entwickelt. Verwenden Sie es deshalb nicht zu gewerblichen oder industriellen oder zu anderen als den bestimmungsgemäßen Zwecken.
- Wir raten Ihnen, das Gerät bei Erhalt sofort auszupacken oder auspacken zu lassen. Überprüfen Sie sein allgemeines Erscheinungsbild, machen Sie eventuelle Vorbehalte schriftlich auf dem Lieferschein geltend und behalten Sie hiervon ein Exemplar.
- Dieses Gerät kann von Kindern ab 8 Jahren sowie von Personen mit eingeschränkten körperlichen, sensorischen oder geistigen Fähigkeiten ohne spezifische Erfahrungen oder Kenntnisse für die Nutzung dieses Geräts verwendet werden, wenn sie dabei beaufsichtigt werden oder die notwendigen Hinweise für die sichere Verwendung des

Geräts und die hiermit verbundenen Risiken erhalten und diese verstanden haben. Es ist darauf zu achten, dass Kinder nicht mit dem Gerät spielen. Die Wartung oder Reinigung des Geräts darf nicht durch Kinder ohne die Aufsicht Erwachsener erfolgen.

- **Achtung:** Die zugänglichen Teile dieses Geräts können heiß werden, wenn es mit Kochgeräten verwendet wird.

Elektrische Risiken

- Die Stromversorgung muss vor Eingriffen an den Anschlussklemmen unterbrochen werden. Ist das Stromversorgungskabel beschädigt, muss es vom Hersteller, dessen Kundendienst oder einer ähnlich qualifizierten Person ausgewechselt werden, um sämtliche Risiken auszuschalten.

- Eine Unterbrechung der Stromversorgung kann mit Hilfe eines von außen zugänglichen Netzsteckers oder durch den sachgemäßen Einbau eines Schalters in den ortsfesten Leitungen gewährleistet werden.

- Versuchen Sie nicht, die Kenndaten dieses Geräts zu verändern. Dies wäre mit Risiken für Sie verbunden.

- Reparaturen dürfen ausschließlich von zugelassenen Fachleuten vorgenommen werden.
- Unterbrechen Sie vor der Reinigung oder Wartung der Abzugshaube immer die Stromversorgung.
- Verwenden Sie (aufgrund der Anforderungen zur Gewährleistung der elektrischen Sicherheit) zur Reinigung Ihres Geräts nie Dampf- oder Hochdruckgeräte.
- Eine Unterbrechung der Stromversorgung kann mit Hilfe eines von außen zugänglichen Netzsteckers oder durch den sachgemäßen Einbau eines Schalters in den ortsfesten Leitungen gewährleistet werden
- Versuchen Sie nicht, die Kenndaten dieses Geräts zu verändern. Dies wäre mit Risiken für Sie verbunden.
- Reparaturen dürfen ausschließlich von zugelassenen Fachleuten vorgenommen werden.
- Unterbrechen Sie vor der Reinigung oder Wartung der Abzugshaube immer die Stromversorgung.

- Verwenden Sie (aufgrund der Anforderungen zur Gewährleistung der elektrischen Sicherheit) zur Reinigung Ihres Geräts nie Dampf- oder Hochdruckgeräte.

Erstickungsgefahr

- Die für den Luftabzug geltenden Regelungen müssen eingehalten werden. Es darf keine Luft in Leitungen abgeführt werden, die dem Abzug von Rauch aus Geräten dienen, für deren Betrieb Gase oder andere Brennstoffe zum Einsatz kommen (dies gilt nicht für Geräte, die nur Luft in den Raum ableiten).
- Es ist eine geeignete Raumbelüftung vorzusehen, wenn eine Küchenabzugshaube gleichzeitig mit Gas oder andere Brennstoffe verwendenden Geräten verwendet wird (dies gilt nicht für Geräte, die nur Luft in den Raum ableiten).

Brandgefahr

- Es ist verboten, unter der Abzugshaube Lebensmittel zu flambieren oder Gaskocher ohne Kochgefäße zum Einsatz zu bringen (die angesaugten Flammen könnten das Gerät beschädigen).

- Das Frittieren unter dem Gerät darf nur unter ständiger Aufsicht erfolgen. Auf sehr hohe Temperaturen erhitzte Öle und Fette können Feuer fangen.
- Das Reinigen und Wechseln der Filter muss im empfohlenen Rythmus erfolgen. Ein Ansammeln von Fett ist mit einem Brandrisiko verbunden.
- Der Betrieb des Geräts über einem Brennstoffherd (Holz, Kohle, usw.) ist nicht zulässig.
- Wird die Abzugshaube über ein Gasgerät angebracht, ist ein Mindestabstand zwischen der Kochfläche und der Unterseite der Abzugshaube von 70 cm einzuplanen. Falls in der Gebrauchsanleitung der unter der Abzugshaube installierten Kochfläche ein größerer Abstand als 70 cm empfohlen wird, ist dieser zu berücksichtigen.

**Achtung**

Wenn in der Küche ein Heizgerät betrieben wird, dass ebenfalls an das Abzugsrohr angeschlossen wird (zum Beispiel eine Etagenheizung), muss die Dunstabzugshaube in der Umluftfunktion betrieben werden. Benutzen Sie die Dunstabzugshaube nicht ohne die Modulfilter. Sorgen Sie stets für eine ausreichende Lüftung des Raums, wenn die Dunstabzugshaube zur gleichen Zeit mit anderen Geräten betrieben wird, die mit Gas oder anderen Heizstoffen arbeiten.

• SCHUTZ DER UMWELT

– Die Materialien zur Verpackung dieses Geräts können recycelt werden. Nehmen Sie am Recycling teil und helfen Sie uns, die Umwelt zu schützen, indem Sie sie in die Behälter ihrer Gemeinde werfen, die extra dafür vorgesehen sind.

– Auch das Gerät wurde mit recycelbaren Materialien hergestellt, weshalb es mit diesem Logo versehen ist. Das zeigt an, dass derlei Geräte nicht mit anderem Müll zusammen entsorgt werden sollten. Wenn Sie so handeln, wird das Recycling der Geräte durch den Hersteller unter den best möglichen Bedingungen realisiert, gemäß der europäischen Richtlinie: 2002/96/CE über die Entsorgung von elektrischen und elektronischen Geräten. Setzen Sie sich bitte mit Ihrer Gemeinde oder dem Geschäft in Verbindung, in dem Sie das Gerät erworben haben, um zu erfahren, wo die nächstgelegenen Punkte zur Entsorgung zu finden sind.



– Wir bedanken uns bei Ihnen für die Unterstützung für den Schutz der Umwelt.

**Achtung**

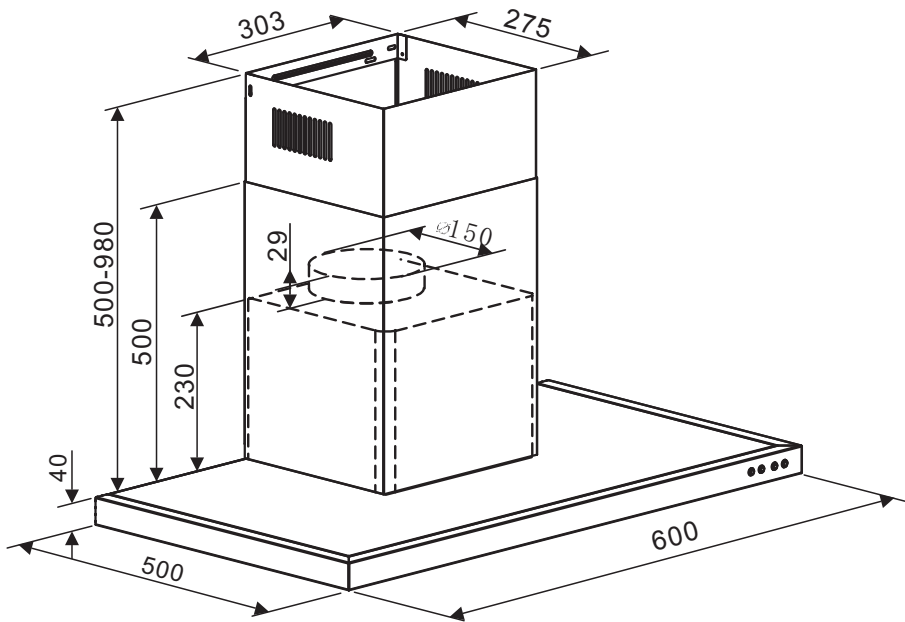
Der Anschluss darf nur von qualifizierten Installateuren und Technikern durchgeführt werden.

**Achtung**

Bevor Sie den Modulfilter zum ersten Mal benutzen, ziehen Sie die Schutzfolie ab.

DE 1 / WAS DER BENUTZER BEACHTEN SOLLTE

• **BESCHREIBUNG DES GERÄTS**



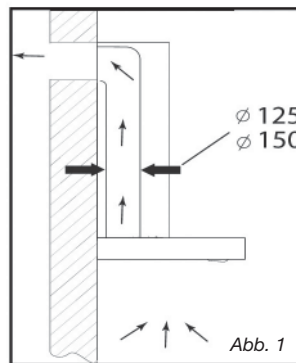
- Das Gerät muss vom Stromnetz getrennt sein, bevor es angeschlossen wird oder Arbeiten an ihm ausgeführt werden.
- Prüfen Sie bitte zunächst, ob die Netzspannung mit der übereinstimmt, die auf dem Typenschild angegeben ist, das sich Inneren der Dunstabzugshaube befindet.
- Wenn der elektrische Anschluss im Raum, in dem die Dunstabzugshaube betrieben wird, Änderungen zum Anschluss des Gerät bedarf, lassen Sie dies von einem qualifizierten Elektriker.
- Wenn die Dunstabzugshaube mit der Absaugfunktion betrieben wird, schließen Sie es nicht an einen Kamin an, der für die Ausleitung von Verbrennungsrückständen benutzt wird (Heizung, offener Kamin, etc.) oder an eine mechanisch gesteuerte Ventilation.
- Die Ableitung, egal welcher Art, darf nicht unterhalb des Dachs oder im Speicher enden.
- Bringen Sie die Dunstabzugshaube in einem Sicherheitsabstand von wenigstens 70cm über dem Elektro-, Gas- oder Mischherd an.

• **BENUTZUNG MIT DER ABSAUGFUNKTION**

Wenn Sie über eine Ableitungsmöglichkeit nach außen verfügen

(Abb. 1)

Ihre Dunstabzugshaube kann über ein Abluftrohr (Ø mindestens 125 mm, emailliert, aus Aluminium oder nicht brennbaren Materialien) an den Abzug angeschlossen werden. Ist der Durchmesser kleiner als 125 mm **müssen Sie die Umluftfunktion benutzen**.



• **BENUTZUNG IN DER UMLUFTFUNKTION**

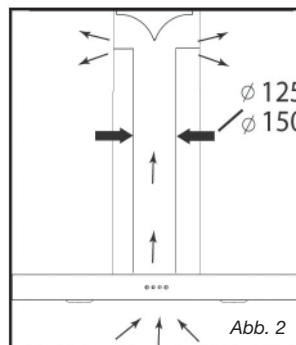
Wenn Sie über keine Ableitungsmöglichkeit nach außen verfügen

(Abb. 2)

Bei allen unseren Geräten besteht die Möglichkeit, sie in der Umluftfunktion zu betreiben.

In diesem Fall setzen Sie einen Aktivkohlefilter ein, welcher die Gerüche herausfiltert.

(siehe Abschnitt 4: Wechsel des Kohlefilters).



Energiespartipp

Um Ihr Gerät optimal zu nutzen, beschränken Sie die Anzahl der Krümmer und die Rohrlänge.

• ELEKTRISCHER ANSCHLUSS

Beim Anschließen und bei Arbeiten zur Instandhaltung, muss das Gerät vom Netzstrom getrennt werden und die Sicherungen müssen getrennt oder herausgedreht sein.

Der elektrische Anschluss muss vorbereitet sein, bevor das Gerät in das Möbelstück eingesetzt wird.

Überprüfen Sie, dass:

- die Leistung der Stromzufuhr ausreichend ist,
- die Leitungen zur Stromzufuhr in gutem Zustand sind,
- der Durchmesser der Kabel entsprechend der Normen für die Installation ist.

**Achtung**

Dieses Gerät wird mit einem Stromkabel geliefert (H 05 VVF) mit drei 3 Leitungen von 0,75 mm² (Schutzleiter, Phase und Erdung), das an ein einphasiges Stromnetz mit 220 - 240 V über einen gewöhnlichen Stecker (CEI 60083) angeschlossen wird, der nach dem Abschluss der Arbeiten, in Übereinstimmung mit den Installationsnormen, zugänglich sein muss.

Wir übernehmen keine Verantwortung im Fall eines Unfalls, der sich wegen einer fehlenden oder falschen Erdung ereignet. Die Installation muss mit einer Sicherung von 10 oder 16 A. abgesichert sein. Wenn das Kabel zur Stromversorgung beschädigt ist, wenden Sie sich sofort an den technischen Kundendienst, um Gefahren zu vermeiden.

**Achtung**

Wenn der elektrische Anschluss im Raum geändert werden muss, in dem die Dunstabzugshaube betrieben werden soll, wenden Sie sich an einen qualifizierten Elektriker.

**Achtung**

Wenn Sie eine Anomalie beim Betrieb der Dunstabzugshaube feststellen, schalten Sie das Gerät ab oder trennen Sie die zugehörige Sicherung.

• MONTAGE DER DUNSTABZUGSHAUBE



Achtung

Der Anschluss muss gemäß den gesetzlichen Vorschriften für die Belüftung von Räumen vorgenommen werden. In Frankreich sind diese Vorschriften im DTU 61.1 des CSTB dargelegt. Im Besonderen darf die abgesaugte Luft nicht in einen Abzug führen, der zur Ableitung von Rauch oder Verbrennungsgase anderer Gas- oder Verbrennungsgeräte benutzt wird. Nicht genutzte Abzüge dürfen nur nach Angaben eines kompetenten Spezialisten genutzt werden.

Der minimale Abstand zwischen der Kochzone und des untersten Teils der Dunstabzugshaube muss mindestens 70 cm betragen. Wenn die Anleitung des jeweiligen Herds unter der Dunstabzugshaube einen höheren Abstand als 70 cm vorschreibt, muss dieser eingehalten werden.

Befestigung an der Wand:

– Zeichnen Sie eine zentrierte Linie auf die Mauer und von der Vertikalen ihres Kochgeräts.

– Zeichnen Sie auf die Mauer die 3 Bohrörter auf, die Sie benötigen und benutzen Sie dafür die mitgelieferten Halter der Dunstabzugshaube und beachten Sie dabei den empfohlenen Abstand (Teil A der Abb. 1).

– Bohren Sie die 3 Löcher von 8 mm an den entsprechenden Stellen und setzen Sie die Dübel ein.

– Schrauben Sie den Halter für die Befestigung der Dunstabzugshaube fest und garantieren Sie, dass er vollständig im Wasser ist (Teil A der Abb. 1).

– Bevor Sie die Dunstabzugshaube aufhängen, montieren das Rückschlagventil auf den Ausgang des Motors.

– Schrauben Sie die dehnbare Hülle (nicht inbegriffen) für die Abluft auf den Ausgang des Motors ohne dabei die Bewegungen des Rückschlagventils zu beeinträchtigen. (Abb. 3).

– Setzen Sie den Körper der Dunstabzugshaube auf den Halter mit den dafür vorgesehenen mitgelieferten Schrauben auf (Abb. 2).

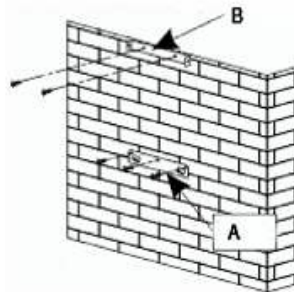


Abb. 1

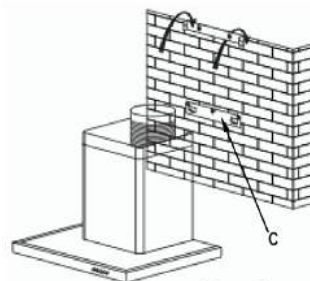


Abb. 2

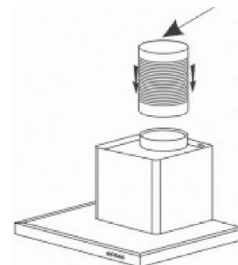


Abb. 3

• **MONTAGE DER ROHRABDECKUNG**

• **Absaugung nach außen**

- Berechnen Sie die Endhöhe für den U-Halter der Rohrabdeckung (Teil B Abb. 1)
- Markieren Sie die 2 Löcher am richtigen Ort.
- Bohren Sie die beiden Löcher mit 8 mm und schrauben Sie den Halteflansch der Rohrabdeckung an und achten Sie dabei, dass die Achse zur Dunstabzugshaube korrekt ist (Teil B Abb.1)
- Schrauben Sie die flache Gabel an die hintere untere Seite der Rohrabdeckung.
- Setzen Sie die beiden Teile der Rohrabdeckung auf die Dunstabzugshaube (Abb. 5).
- Schließen Sie die Hülle des Luftausgangs außen an.
- Führen Sie den elektrischen Anschluss der Dunstabzugshaube mit dem Stromkabel durch.
- Führen Sie das obere Teil der Rohrabdeckung bis zum höchsten Punkt und befestigen Sie sie an der Gabel über die Schrauben.

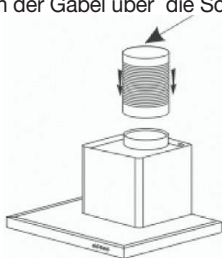


Abb. 3

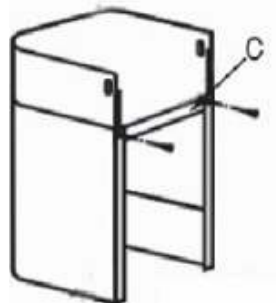


Abb. 4

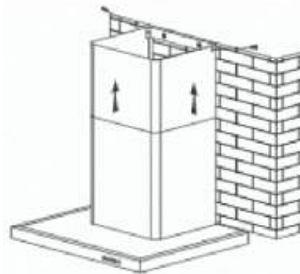


Abb. 6

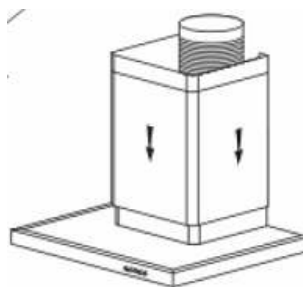


Abb. 5

• Umluft

- Berechnen Sie die Endhöhe für den Halter der Rohrabdeckung.
- Markieren Sie die 2 Löcher am richtigen Ort.
- Bohren Sie die beiden Löcher mit 8 mm und schrauben Sie den Halteflansch des Rohrhalters an und achten Sie dabei, dass die Achse zur Dunstabzugshaube korrekt ist.
- Schrauben Sie die flache Gabel an die hintere untere Seite der Rohrabdeckung.
- Setzen Sie die beiden Teile der Rohrabdeckung auf die Dunstabzugshaube. (Abb. 5)
- Schließen Sie die Hülle des Luftausgangs außen an.
- Führen Sie den elektrischen Anschluss der Dunstabzugshaube mit dem Stromkabel durch.
- Führen Sie das obere Teil der Rohrabdeckung bis zum höchsten Punkt und befestigen Sie sie an der Gabel über die Schrauben.

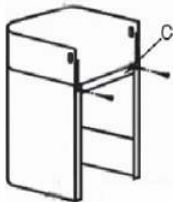


Abb. 4



Abb. 8

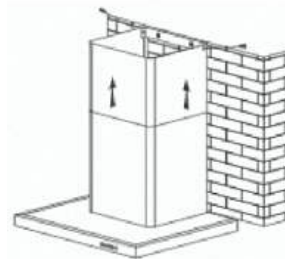
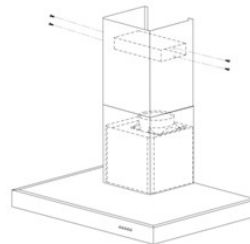


Abb. 6

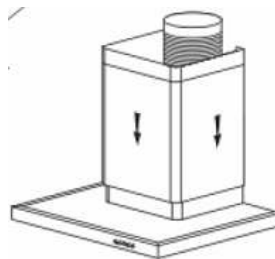


Abb. 5



Hinweis

Um die optimale Leistung des Geräts zu gewährleisten, raten wir Ihnen, es an einen Anschluss mit einem Durchmesser von 150 mm anzuschließen (nicht mitgeliefert). Beschränken Sie so weit wie möglich den Einsatz von Winkeln und die Gesamtlänge. Wenn die Dunstabzugshaube im Abluftbetrieb benutzt wird, müssen Sie sich darüber versichern, dass genug Luft zugeführt wird, damit kein Unterdruck im Raum entsteht.



Achtung

Benutzen Sie kein Werkzeug, um den Schutzfilm abzuziehen.

• **BESCHREIBUNG DER STEUERUNG**

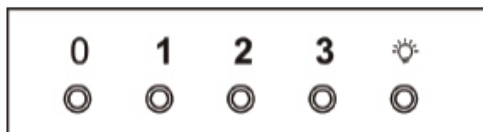
1. Wenn der Knopf Stopp gedrückt wird, wird der Motor gestoppt.

2. Wenn der Knopf Low (niedrig) gedrückt wird, wird ein Tonsignal ertönen und der Motor mit niedriger Geschwindigkeit arbeiten.

3. Wenn der Knopf Mid (mittel) gedrückt wird, wird ein Tonsignal ertönen und der Motor mit mittlerer Geschwindigkeit arbeiten.

4. Wenn der Knopf High (hoch) gedrückt wird, wird ein Tonsignal ertönen und der Motor mit hoher Geschwindigkeit arbeiten.

5. Wird der Knopf Light (Licht) gedrückt, werden die beiden Lampen angeschaltet. Drücken Sie ihn erneut, wird das Licht abgeschaltet.



Stop Low Mid High Light⁺

 **Energiespartipp**

Passen Sie Ihre Geschwindigkeit an den Garmodus und die Anzahl der Kochtöpfe an. Nutzen Sie bevorzugt die hinteren Herdplatten.

**Achtung**

Trennen Sie das Gerät stets von der Stromversorgung, bevor Sie eine Arbeit zur Wartung oder Reinigung vornehmen. Eine periodische Instandhaltung ist eine Garantie für einen guten Betrieb, eine gute Leistung und eine lange Laufzeit.

**Achtung**

Wenn Sie den Anweisungen zur Reinigung des Geräts und der Filter nicht nachkommen, kann das zu Bränden führen. Halten Sie strikt die Anweisungen zur Instandhaltung ein.

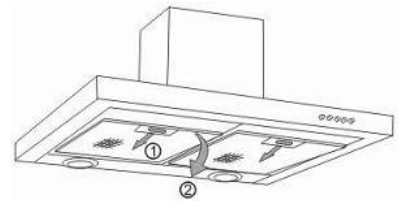
• REINIGUNG DER MODULFILTER

Sie müssen nach jeweils 30 Betriebsstunden oder nach etwa einem Monat (minimal) gereinigt werden.

Benutzen Sie eine Bürste, heißes Wasser und ein weiches Spülmittel. Spülen Sie gut nach und trocknen Sie sie gut, bevor Sie sie wieder einsetzen.

• Demontage des Modulfilters

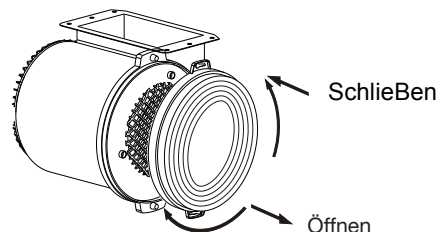
- Drehen Sie den Griff am Modulfilter.
- Kippen Sie den Modulfilter nach unten weg.



• WECHSEL DES KOHLEFILTERS (optional)

Sie müssen ihn jeweils nach 120 Betriebsstunden wechseln.

- Entnehmen Sie die übrigen Modulfilter
- Drehen Sie den Kohlefilter, um ihn herausnehmen zu können.
- Führen Sie den Vorgang in umgekehrter Reihenfolge durch, um einen neuen Filter einzusetzen.
- Setzen Sie danach die übrigen Modulfilter wieder ein.



• **REINIGUNG DER OBERFLÄCHEN AUBEN**

Zur äußerlichen Reinigung der Dunstabzugshaube benutzen Sie Wasser und Seife. Benutzen Sie keine Cremes zum Spülen, noch kratzende Reiniger, Schwämme oder Bürsten. Trocknen Sie mit einem feuchten und weichen Lappen nach.

• **LAMPE AUSTAUSCHEN**

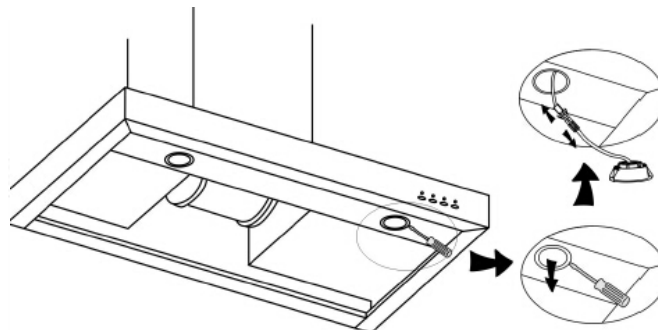


Achtung

Bevor Sie irgendeine Arbeit an der Dunstabzugshaube verrichten, schalten Sie den Strom ab, ziehen den Netzstecker oder trennen die Sicherung.

Modell mit LED

- Nehmen Sie die Fassung heraus
- Ersetzen Sie die LED.
- Setzen Sie die Gruppe wieder ein, indem Sie in umgekehrter Reihenfolge vorgehen.



**Achtung**

Bevor Sie irgendeine Arbeit an der Dunstabzugshaube verrichten, schalten Sie den Strom ab, ziehen den Netzstecker oder trennen die Sicherung.

• **INSTANDHALTUNG DES GERÄTS**

WARTUNG	WAS ZU TUN IST	PRODUKTE / ZUBEHÖR ZUM GEBRAUCH
Gehäuse und Zubehör	Benutzen Sie niemals metallische Schwämme, kratzende Reiniger oder zu harte Bürsten.	Um das Gehäuse und das Auge zur Beleuchtung zu reinigen, benutzen Sie nur kommerzielle Reiniger, die in Wasser verdünnt werde und spülen Sie danach mit Wasser nach und trocknen Sie mit einem weichen Lappen nach.
Modulfilter	Dieser Filter hält den fetten Dampf und den Staub zurück. Es ist das Element, das ganz wesentlich die Wirksamkeit der Dunstabzugshaube garantiert. Wenn es schwer lösliche Flecken gibt, benutzen Sie einen nicht kratzenden Reiniger und spülen Sie mit klarem Wasser nach.	Reinigen Sie ihn mit einem kommerziellen Reiniger, spülen Sie mit reichlich Wasser nach und trocknen Sie ihn ab. Die Reinigung kann aufrecht stehend in der Spüle vorgenommen werden. (Bringen Sie ihn nicht mit schmutzigem Geschirr oder mit Silberbesteck in Kontakt).
Aktivkohlefilter	Dieser Filter filtert die Gerüche und er muss wenigstens ein Mal im Jahr, je nach Nutzung, gewechselt werden. Bestellen Sie diese Filter bei ihrem Händler (mit den Referenzen, die auf der Typenplakette finden, die sich im Inneren der Dunstabzugshaube befindet) und notieren Sie das Datum des Tauschs.	

SYMPTOME	LÖSUNGEN
Die Dunstabzugshaube funktioniert nicht ...	Überprüfen Sie, dass: <ul style="list-style-type: none">• der Strom nicht abgestellt wurde.• eine Geschwindigkeit zum Betrieb gewählt wurde.
Die Leistung der Dunstabzugshaube ist unzureichend.	Stellen Sie sicher, dass: <ul style="list-style-type: none">• Die gewählte Motordrehzahl ist für die ausreichende Menge von Rauch und Dämpfen gelöscht werden.• Die Küche ist ausreichend belüftet, damit für Frischluftzufuhr.• Die Kohlenstoff-Filter nicht getragen wird (Haube Betriebssystem im Recycling-Modus).
Die Dunstabzugshaube hat sich im Betrieb abgeschaltet.	Überprüfen Sie, dass: <ul style="list-style-type: none">• der Strom nicht abgestellt wurde.• der automatische Schutztrennschalter nicht ausgelöst wurde.

Die Arbeiten, die an dem Gerät ausgeführt werden, müssen durchgeführt werden von:

- dem Händler
- oder von einem von der Marke autorisierten und qualifizierten Fachmann.

Bei Anrufen geben Sie bitte stets die gesamten Referenzdaten an (Modell, Typ und Seriennummer). Diese Daten finden sich auf dem Typenschild des Geräts.

DE Informationen zum Ökodesign / Technisches Produktdatenblatt

Das Gerät entspricht den Bestimmungen der delegierten Verordnungen 65/2014 und 66/2014 der Europäischen Kommission zum Ökodesign und zur Energieauszeichnung von Dunstabzugshauben.

	Symbol	Wert	Einheit
Marke	Brandt		
Modellnummer	AD1515X		
Jährlicher Energieverbrauch	AEC	56,1	kWh/annum
Energieeffizienzindex	EEI	62,5	-
Strömungsdynamikeffizienzindex	FDE	24,3	-
Beleuchtungseffizienzindex	LE	30,4	-
Fettfiltereffizienz	GFE	77,2	-
Zeiterhöhungsfaktor	<i>f</i>	1,1	-
Maximaler volumetrischer Luftdurchsatz der Dunstabzugshaube	Q_{max}	586,3	m ³ /h
Volumetrischer Luftdurchsatz bei bestem Effizienzpunkt	Q_{BEP}	321,6	m ³ /h
Statischer Druck bei bestem Effizienzpunkt	P_{BEP}	354	P
Leistungsaufnahme bei bestem Effizienzpunkt	W_{BEP}	130,3	W
Nenn-Leistungsaufnahme des Beleuchtungssystems	W_L	5,2	W
Durchschnittliche Beleuchtungsstärke des Beleuchtungssystems	E_{middle}	158	Lux/W
Leistungsaufnahme wenn ausgeschaltet	P_o	0	W
Leistungsaufnahme im Stand-by-Modus	P_s	-	W
Volumetrischer Luftdurchsatz bei höchster Schaltstufe im Normalmodus	-	586,3	m ³ /h
Volumetrischer Luftdurchsatz bei niedrigster Schaltstufe im Normalmodus	-	360,2	m ³ /h
Volumetrischer Luftdurchsatz im Intensiv-/Boost-Modus	-	-	m ³ /h
Schallemission bei höchster Schaltstufe im Normalmodus	-	70	dB(LWA)
Schallemission bei niedrigster Schaltstufe im Normalmodus	-	60	dB(LWA)
Schallemission im Intensiv-/Boost-Modus	-	-	dB(LWA)

Za účelem neustálého zlepšování našich výrobků si vyhrazujeme právo provádět úpravy jejich technických, funkčních a estetických vlastností, spojených s technickým pokrokem.



Důležité:

Než uvedete váš přístroj do provozu, přečtěte si pozorně tento návod k instalaci a použití, aby jste se co nejrychleji obeznámili s jeho fungováním.

1 / PRO UŽIVATELE	
• Bezpečnostní údaje _____	90
• Ochrana životního prostředí _____	95
• Popis přístroje _____	96
2 / INSTALACE PŘÍSTROJE	
• Použití v evakuačním způsobu _____	97
• Použití v recyklačním způsobu _____	97
• Elektrické zapojení _____	98
• Montáž extrakčního zvonu _____	98
• Montáž komína	
◦ Evakuace ven _____	100
◦ Recyklace _____	101
3 / POUŽITÍ PŘÍSTROJE	
• Popis ovládačů _____	102
4 / ÚDRŽBA A ČIŠTĚNÍ PŘÍSTROJE	
• Čištění modulárních filtrů _____	103
• Výměna uhlíkového filtru _____	103
• Čištění vnějšího povrchu _____	104
• Výměna žárovky _____	104
• Údržba přístroje _____	105
5 / ZÁVADY VE FUNGOVÁNÍ _____	106
6 / TECHNICKÝ SERVIS _____	107

**Důležité**

Uschovejte tuto příručku spolu s přístrojem. Pokud prodáte nebo přenecháte tento přístroj jiné osobě, ujistěte se, že jste k němu přiložili tento návod k použití. Prosíme, přečtěte si tyto rady dříve, než nainstalujete a začnete používat tento přístroj. Byly sepsané za účelem zajištění bezpečnosti vaší i vašeho okolí.

Důležité bezpečnostní pokyny

Tento návod je rovněž k dispozici ke stažení na internetových stránkách značky Brandt.

Seznamte se s těmito radami, než přístroj nainstalujete a použijete. Jsou sestaveny pro vaši bezpečnost a bezpečnost dalších osob. Tento návod k použití uskladněte u přístroje. Pokud přístroj prodáte nebo předáte jiné osobě, zajistěte, aby s přístrojem obdržela i návod k použití.

- Ve snaze neustále zlepšovat naše výrobky si vyhrazujeme právo provádět v souvislosti s technickým vývojem změny technických, funkčních nebo vzhledových vlastností.
- Abyste v budoucnu snadno našli reference vašeho přístroje, doporučujeme vám zaznamenat je na stránku “Poprodejní servis”.

Důležité bezpečnostní pokyny

- Tento spotřebič je určen pro použití v domácnosti. Nepoužívejte ji ke komerčním nebo průmyslovým účelům nebo pro jiné účely, než pro jaké byl navržen.
- Po převzetí přístroje jej vybalte nebo nechte okamžitě vybalit. Zkontrolujte obecný vzhled. Případné výhrady formulujte písemně do dodacího listu, jehož jeden výtisk si necháte.
- Tento přístroj mohou používat děti ve věku nejméně 8 let a osoby, jejichž tělesné, smyslové či duševní schopnosti jsou sníženy nebo které mají nedostatečné zkušenosti nebo znalosti, pokud mají dostatečný dohled a byly vybaveny pokyny k bezpečnému používání tohoto přístroje a seznámeny s možnými riziky. Děti si nesmějí hrát s přístrojem. Děti nesmějí provádět čištění a údržbu zařízení bez dohledu.
- Důležité upozornění: Dostupné části tohoto přístroje mohou být horké, používají-li se s varnými přístroji.

Elektrická rizika

- Před přístupem ke svorkám pro elektrické zapojení je nutno odpojit všechny napájecí obvody. Pokud je poškozen napájecí kabel, musí jej vyměnit výrobce, jeho záruční servis nebo osoba s podobnou kvalifikací, aby se vyloučilo jakékoli riziko.
- Odpojení lze provést pomocí dostupné zástrčky nebo pomocí jističe ve stálých rozvodech v souladu s pravidly pro instalaci.
- Neupravujte a neměňte parametry tohoto přístroje. Bylo by to pro vás nebezpečné.
- Opravy musí provádět pouze autorizovaný odborník.
- Před čištěním a údržbou odsavač vždy odpojte od napájení.
- K čištění přístroje nikdy nepoužívejte parní či vysokotlaké přístroje (pokyny týkající se bezpečnosti práce s elektrickými přístroji).
- Odpojení lze provést pomocí dostupné zástrčky nebo pomocí jističe ve stálých rozvodech v souladu s pravidly pro instalaci.
- Neupravujte a neměňte parametry tohoto přístroje. Bylo by to pro vás nebezpečné.
- Opravy musí provádět pouze autorizovaný odborník.

- Před čištěním a údržbou odsavač vždy odpojte od napájení.
- K čištění přístroje nikdy nepoužívejte parní či vysokotlaké přístroje (pokyny týkající se bezpečnosti práce s elektrickými přístroji).

Nebezpečí udušení

- Je nutno dodržovat pokyny týkající se odvodu vzduchu. Vzduch nesmí být veden do potrubí odvádějící kouř z přístrojů používajících plyn či jiné palivo (neplatí pro přístroje odvádějící pouze vzduch do místnosti).
- Při použití kuchyňského odsavače spolu s přístroji používajícími plyn či jiné palivo je nutno zajistit vhodné větrání místnosti (neplatí pro přístroje odvádějící pouze vzduch do místnosti).

Nebezpečí požáru

- Pod odsavačem je zakázáno flambovat pokrmy nebo nechat běžet plynové hořáky bez nádob k vaření (nasáté plameny by mohly přístroj poškodit).

- Při smažení pod přístrojem je nutný nepřetržitý dohled. Oleje a tuky zahřáté na vysokou teplotu se mohou vznítit.
- Dodržujte frekvenci čištění a výměny filtrů. Nahromadění mastných usazenin může způsobit požár.
- Provoz nad topeništěm na tuhá paliva (dřevo, uhlí...) není povolen.
- Při umístění kuchyňského odsavače nad plynovým přístrojem je minimální vzdálenost mezi deskou a spodní stranou odsavače nejméně 70 cm. Pokud pokyny k varné desce instalované pod odsavačem uvádějí vzdálenost větší než 70 cm, je třeba ji dodržet.

**Pozor**

Pokud se sporák ohřívá pomocí přístroje napojeného na komín (například kamna), je třeba nainstalovat zvon v recyklačním způsobu. Nepoužívejte zvon bez modulárních filtrů. Je třeba zajistit adekvátní ventilaci, pokud se extrakční kuchyňský zvon používá zároveň s dalšími přístroji, které fungují na plyn nebo jiný spalovací pohon.

• OCHRANA ŽIVOTNÍHO PROSTŘEDÍ

— Materiály použité při balení tohoto přístroje jsou recyklovatelné. Podílejte se na jejich recyklování a pomáhejte zachovávat životní prostředí jejich vyhozením do obecních kontejnerů, určených k těmto účelům.



— Váš přístroj také obsahuje recyklovatelné materiály, proto je označený tímto logem, které oznamuje, že použité přístroje se nesmí míchat mezi ostatní odpad. Tímto způsobem se recyklace přístrojů, kterou organizuje váš výrobce, uskuteční v nejlepších možných podmínkách, v souladu s evropskou směrnicí

2002/96/CE o odpadech elektrických a elektronických vybavení. Informujte se na vašem obecním úřadě nebo u vašeho prodejce, aby jste se dozvěděli, kde se nacházejí sběrná místa pro použité přístroje, která jsou nejbliže vašemu bydlišti.

— Děkujeme Vám za vaši spolupráci při ochraně životního prostředí.

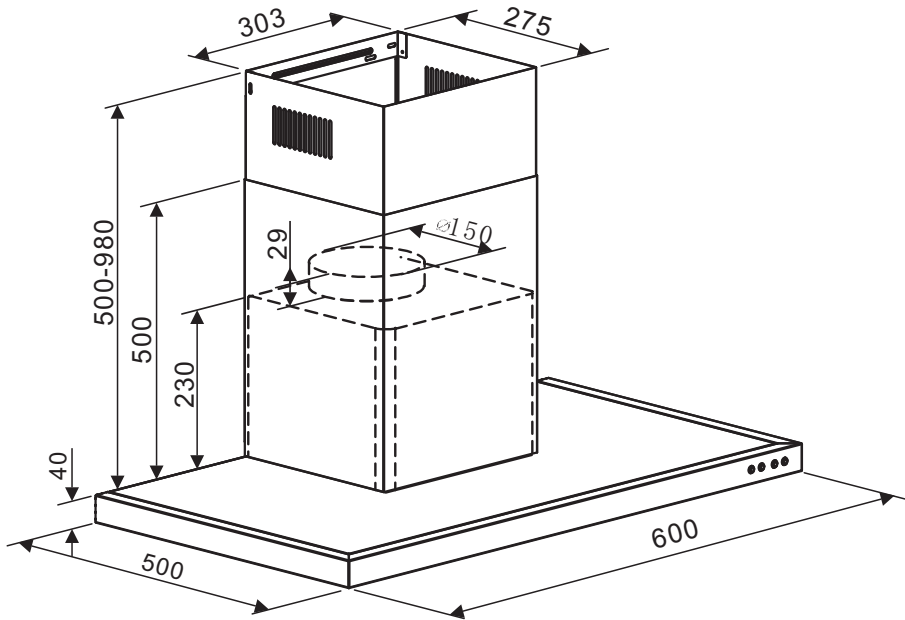
**Pozor**

Instalace musí být provedena kvalifikovanými instalačními technikami.

**Pozor**

Dříve, než poprvé použijete modulární filtr, odstraňte z něj ochranný film.

• **POPIS PŘÍSTROJE**

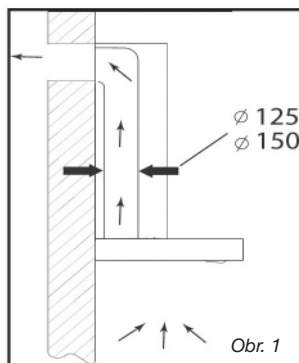


- Příklad je třeba odpojit před instalací a před provedením jakéhokoliv zákruku na něm.
- Zkontrolujte, zda napětí sítě odpovídá napětí, uvedenému na štítku s charakteristikami, který se nachází uvnitř zvonu.
- Pokud je pro nainstalování vašeho zvonu třeba provést nějaké změny, aby jste mohli připojit přístroj, pověřte tím kvalifikovaného elektrikáře.
- Pokud používáte zvon v evakuačním způsobu, nezapojíte přístroj na vývod pro evakuaci dýmu ze spalování (kotel, komín, atd.) nebo na VMC (mechanická kontrolovaná ventilace).
- Evakuační vývod, ať je jakýkoliv, nesmí vyústit pod střechou.
- Nainstalujte zvon do bezpečnostní vzdálenosti alespoň 70 cm od desky elektrického, plynového nebo smíšeného vaříče.

• POUŽITÍ V EVAKUAČNÍM ZPŮSOBU

Pokud disponujete vývodem ven
(Obr. 1)

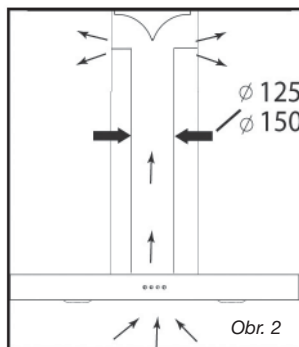
Můžete k němu připojit váš zvon pomocí evakuačního vývodu (minimální \varnothing 125 mm, smaltovaný, hliníkový nebo nehořlavý materiál). Pokud má vývod průměr menší, než 125 mm, **přejděte povinně do recyklačního způsobu.**



• POUŽITÍ V RECYKLAČNÍM ZPŮSOBU

Pokud nedisponujete vývodem ven
(Obr. 2)

Všechny naše přístroje jsou uzpůsobené pro možnost fungování v recyklačním způsobu. V tomto případě přidejte filtr s aktivním uhlím, který zachycuje pachy. (viz. kapitola 4: Výměna uhlíkového filtru).



Doporučení pro úsporu energie

Pro optimální využití zařízení se snažte co nejvíce omezit počet ohybů a otáček objímky.

• ELEKTRICKÉ ZAPOJENÍ

Při provádění instalace a údržbářských operací musí být přístroj odpojený z elektrické sítě a pojistky musí být vypnuté a odstraněné.

Elektrické zapojení je třeba provést před umístěním přístroje do nábytku.

Zkontrolujte, zda:

- je dostatečný výkon instalace,
- jsou napájecí linky v dobrém stavu,
- je průměr káblu v souladu s normami instalace.

**Pozor**

Tento přístroj je dodáván spolu s napájecím káblem H 05 VVF s 3 vodiči o 0,75 mm² (nulák, fáze a zem), který je třeba napojit na jednofázovou síť s 220 - 240 V prostřednictvím normalizované zásuvky CEI 60083, ta musí být přístupná i po provedení instalace, v souladu s instalačními normami.

Nebudeme na sebe přebírat zodpovědnost za nehody způsobené neexistující nebo nesprávnou zásuvkou.

Pojistka ve vaší instalaci musí mít 10 nebo 16 A. Pokud by byl napájecí kábel poškozený, kontaktujte zákaznické centrum, aby jste předešli jakémukoliv nebezpečí.

**Pozor**

Pokud potřebujete upravit elektrickou instalaci vašeho pokoje, aby bylo možné zapojit přístroj, přivolejte kvalifikovaného elektrikáře.

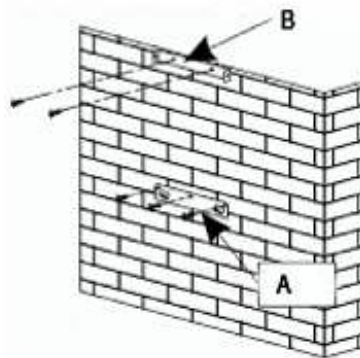
**Pozor**

Pokud se na zvonu objeví jakákoliv anomálie, odpojte přístroj nebo vyndejte pojistku odpovídající lince zapojení přístroje.

• MONTÁŽ EXTRAČNÍHO ZVONU



Pozor
 Instalace musí být v souladu s platnými normami pro ventilaci místností. Ve Francii jsou tyto normy popsány v DTU 61.1, CSTB. Především by vypouštěný vzduch neměl proudit stejnými proudy jako dým z přístrojů, které používají plyn nebo jiné spalování.
 Neužívané vývody se mohou znovu použít pouze se souhlasem kompetentního odborníka.

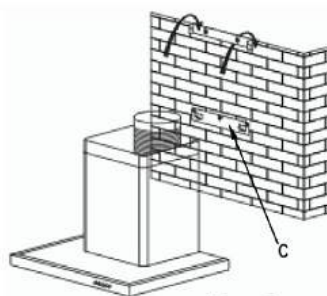


Obr. 1

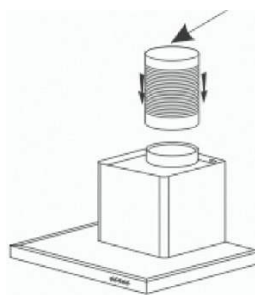
Minimální vzdálenost mezi varnou zónou a nejnižší částí zvonu musí být alespoň 70 cm. Pokud by instrukce na štítku, instalovaném pod zvonem, uváděly vzdálenost vyšší než 70 cm, je třeba ji brát v úvahu.

Upevnění na zed':

- Nakreslete na zeď vystředěnou čáru, ve vertikální pozici k vařicí desce.
- Označte na zdi všechny 3 otvory, které potřebujete vyvrtat a použijte hák pro zavěšení zvonu, ponechte a respektujte doporučenou vzdálenost (kus A, obr. 1).
- Vyvrtejte všechny 3 otvory o 8 mm v adekvátním rozmístění a vložte hmoždinky.
- Našroubujte držák pro upevnění zvonu a zajistěte, aby byl zcela nivelovaný (kus A, obr. 1).
- Před zavěšením zvonu namontujte zpětný ventil na vývod motoru.
- Našroubujte (nepřiložené) výsuvné odvodové pouzdro na vývod motoru tak, aby nepřekáželo v pohybu zpětného ventilu. (obr. 3).
- Umístěte a zapojte těleso zvonu na tento držák pomocí připravených přiložených šroubů. (obr. 2).



Obr. 2

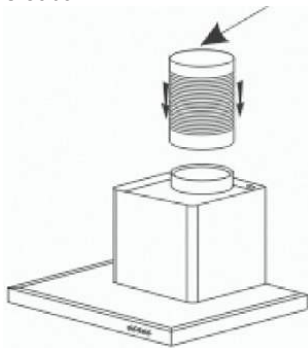


Obr. 3

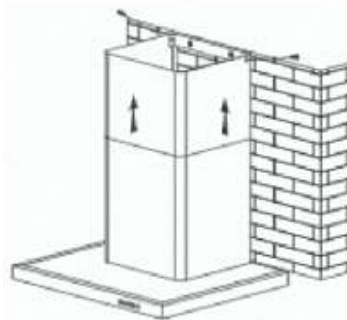
• **MONTÁŽ KOMÍNA**

• **Vypouštění ven**

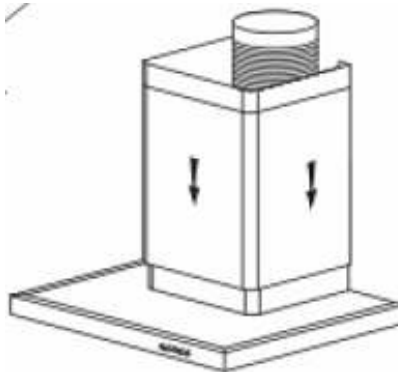
- Vypočítejte konečnou výšku pro našroubování výběžku ve tvaru U na držáku komína (kus B, obr. 1).
- Vyznačte 2 otvory na adekvátním místě.
- Vyvrtejte oba 2 otvory o 8 mm, našroubujte přírubu držáku komína a věnujte pozornost tomu, aby byla dobře uložena v hřídeli zvonu (kus B, obr.1).
- Našroubujte plochou vidlici dozadu, na spodní část komína.
- Umístěte oba 2 komíny na zvon (obr. 5).
- Napojte pouzdro na vývod vzduchu ven.
- Proveďte elektrické zapojení zvonu prostřednictvím napájecího kabelu.
- Zvedněte horní komín až do maximální výšky a upevněte ho na vidlici pomocí dvou šroubů.



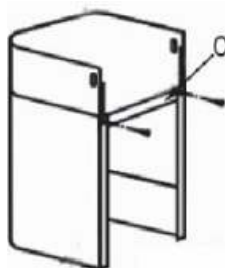
Obr. 3



Obr. 6



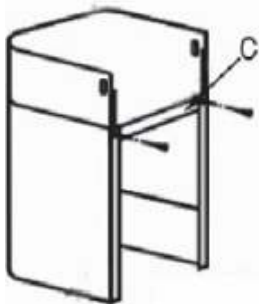
Obr. 5



Obr. 4

• Recyklování

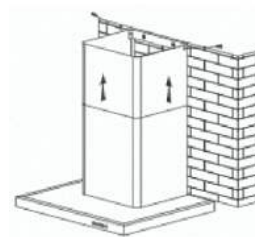
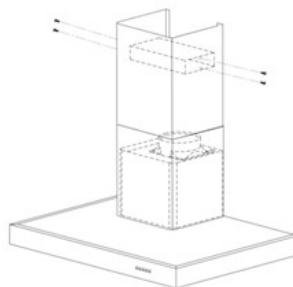
- Vypočítejte konečnou výšku pro vložení příruby držáku komína.
- Vyznačte 2 otvory na adekvátním místě.
- Vyrvejte oba 2 otvory o 8 mm a našroubujte přírubu na držák komína, dbejte na to, aby byla dobře uložena v hřídeli zvonu.
- Našroubujte plochou vidlici dozadu na spodní část komína.
- Umístěte oba 2 komíny na zvon (obr. 5).
- Napojte pouzdro na vývod vzduchu ven.
- Proveďte elektrické zapojení zvonu prostřednictvím napájecího kábelu. -Zvedněte horní komín až na maximum a upevněte jej na vidlici pomocí šroubů.



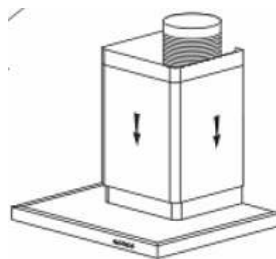
Obr. 4



Obr. 8



Obr. 6



Obr. 5



Rada

Pro dosažení optimálního používání přístroje vám doporučujeme jej napojit na vedení s průměrem 150 mm (nepřiložené). Omezit na maximum počet kolen a délku vedení. Pokud zvon funguje pro evakuaci ven, je třeba se ujistit, zda vchází dostatek vzduchu, aby se nevytvořil v místnosti podtlak.



Pozor

Na odstranění ochranného filu nepoužívejte žádné nástroje.

• POPIS OVLADAČŮ

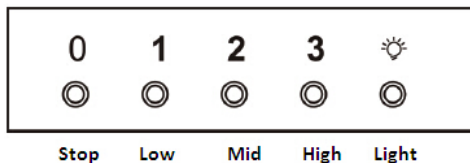
1. Po stisknutí tlačítka Stop (zastavit) se zastaví motor.

2. Po stisknutí tlačítka Low (Nízká), jedenkrát zazní sygnál a motor bude fungovat při nízké rychlosti.

3. Po stisknutí tlačítka Mid (Střední), jedenkrát zazní sygnál a motor bude fungovat při střední rychlosti.

4. Po stisknutí tlačítka High (Vysoká), jedenkrát zazní sygnál a motor bude fungovat při vysoké rychlosti.

5. Po stisknutí tlačítka Light (Světlo), se rozsvítí obě světla. Po opětovném stisknutí se světla vypnou.

**Doporučení pro úsporu energie**

Upravte rychlost režimu vaření a počtu hrnců. Použijte co nejvíce zadní plotny varné desky.

**Pozor**

Odpojte přístroj dříve, než přistoupíte k jeho údržbě a čištění. Pravidelná údržba zaručí dobré fungování, výkon a životnost.

**Pozor**

Nerespektování instrukcí pro čištění přístroje a filtrů může vyvolat požar. Dodržujte přesně instrukce pro údržbu.

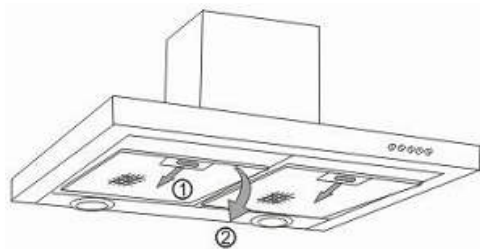
• ČIŠTĚNÍ MODULÁRNÍCH FILTRŮ

Musí se čistit po každých 30 hodinách používání nebo minimálně jednou za měsíc.

Použijte kartáč, teplou vodu a jemný čisticí prostředek. Opatrně je opláchněte a usušte, než je opět nasadíte.

• Demontáž modulárního filtru

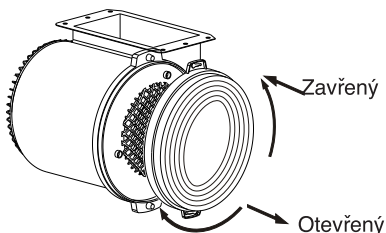
- Otočte integrovaným držadlem modulárního filtru.
- Nakloňte modulární filtr směrem dolů.



• VÝMĚNA UHLÍKOVÉHO FILTRU (možnost)

Vyměňte jej přibližně po každých 120 hodinách použití.

- Odstraňte modulární filtry.
- Otočte uhlíkovým filtrem, aby jste jej mohli odstranit.
- Postupujte opačně pro nasazení nového filtru.
- Opět nasadte modulární filtry.



• ČIŠTĚNÍ VNĚJŠÍHO POVRCHU

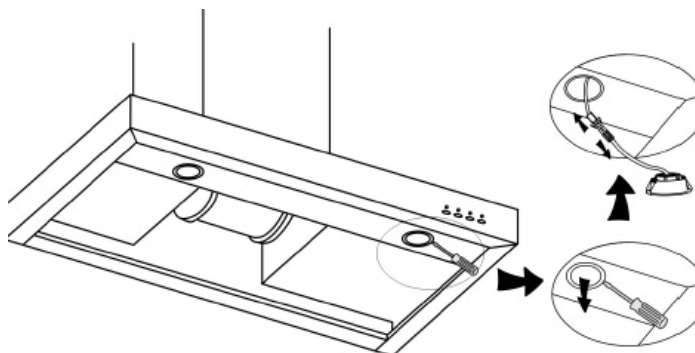
Na vyčištění vnějšku extrakčního zvonu použijte vodu s mýdlem; nepoužívejte čistící krémy, žíravé čistící prostředky, ani drátěnky nebo kartáče. Vysušte jemnou a vlhkou hadříčkou.

• VÝMĚNA ŽÁROVKY**Pozor**

Před provedením jakéhokoliv zásahu musíte nechat zvon bez napětí jeho odpojením ze zásuvky nebo stisknutím jističe.

Model s LED žárovkou

- Odstraňte stínítko.
- Vyměňte **LED** žárovku.
- Opět sadu nasadte provedením stejných operací v opačném pořadí.



**Pozor**

Před provedením jakéhokoliv zásahu musíte nechat zvon bez napětí jeho odpojením ze zásuvky nebo stisknutím jističe.

• **ÚDRŽBA PŘÍSTROJE**

ÚDRŽBA	CO DĚLAT	PRODUKTY/PŘISLUŠENSTVÍ
Kostra a příslušenství	Nikdy nepoužívejte kovové drátěnky, abrazivní výrobky nebo příliš tvrdé kartáče.	Na vyčištění rámu a okénka pro osvětlení použijte výhradně čisticí komerční výrobky rozpuštěné ve vodě, následně opláchněte vodou a vysušte suchým hadříkem.
Modulární filtr	Tento filtr zachycuje mastné výpary a prach. Jedná se o část, která zaručuje účinnost zvonu. Pokud se vyskytnou odolné skvrny, použijte neabrazivní krém a opláchněte čistou vodou.	Vyčistěte pomocí komerčního čisticího výrobku, pořádně opláchněte a vysušte. Čištění lze provádět v myčce, ve vertikální poloze. (Nedávejte do styku se špinavým nádobím nebo stříbrnými přístroji).
Filtr s aktivním uhlím	Tento filtr zachycuje pachy a musí se vyměnit alespoň jednou ročně, v závislosti na používání. Objednejte tyto filtry u vašeho prodejce (s referencí, která je uvedena na štítku s charakteristikami, umístěném uvnitř zvonu) a poznamenejte si datum výměny.	

CZ 5 / ZÁVADY PŘI FUNGOVÁNÍ

PŘÍZNAKY	ŘEŠENÍ
Zvon nefunguje ...	Zkontrolujte, zda : <ul style="list-style-type: none">• se nepřerušila dodávka proudu.• byla zvolená rychlost.
Výkon zvonu je nedostatečný...	Zkontrolujte, zda : <ul style="list-style-type: none">• vámi zvolená rychlost motoru je dostatečná pro množství vzniklého kouře a vodní páry.• je kuchyně dostatečně ventilovaná, aby mohl vcházet vzduch.• není opotřebovaný uhlíkový filtr (zvon v recyklačním způsobu).
Zvon se během fungování zastavil	Zkontrolujte, zda : <ul style="list-style-type: none">• nebyla přerušena dodávka proudu.• nebyl aktivovaný mnohopólový vypínač.

Nezbytné zásahy na stroji musí provést:

- prodejce,
- nebo jakýkoliv kvalifikovaný odborník, který je držitelem značky.

Při telefonním kontaktu uveďte kompletní referenci stroje (model, typ a sériové číslo).

Tyto údaje se nacházejí na identifikačním štítku, umístěném na stroji.

CZ Informace o ekodesignu / Technický informační list výrobku

Toto zařízení splňuje přenesená nařízení Evropské komise (EU) 65/2014 a 66/2014 o požadavcích na ekodesign a energetické štítky u digestoří pro domácnost.

	Symbol	Hodnota	Jednotka
Značka	Brandt		
Číslo modelu	AD1515X		
Roční spotřeba energie	AEC	56,1	kWh/annum
Index energetické účinnosti	EEi	62,5	-
Index účinnosti proudění tekutin	FDE	24,3	-
Index účinnosti osvětlení	LE	30,4	-
Účinnost filtrování mastnoty	GFE	77,2	-
Faktor navýšení času	<i>f</i>	1,1	-
Maximální objemový průtok vzduchu digestoří	Q_{max}	586,3	m ³ /h
Objemový průtok vzduchu v bodě nejvyšší účinnosti	Q_{BEP}	321,6	m ³ /h
Statický tlak v bodu nejlepší účinnosti	P_{BEP}	354	P
Spotřeba energie v bodu nejlepší účinnosti	W_{BEP}	130,3	W
Nominální spotřeba energie osvětlovacího systému	W_L	5,2	W
Průměrná intenzita osvětlovacího systému	E_{middle}	158	Lux/W
Spotřeba energie v režimu vypnutí	P_o	0	W
Spotřeba energie v pohotovostním režimu	P_s	-	W
Objemový průtok vzduchu při maximální rychlosti v normálním režimu	-	586,3	m ³ /h
Objemový průtok vzduchu při minimální rychlosti v normálním režimu	-	360,2	m ³ /h
Objemový průtok vzduchu v intenzivním režimu/boost	-	-	m ³ /h
Emise akustického výkonu při maximální rychlosti v normálním režimu	-	70	dB(LWA)
Emise akustického výkonu při minimální rychlosti v normálním režimu	-	60	dB(LWA)
Emise akustického výkonu v intenzivní režimu/Boost	-	-	dB(LWA)

Som en del af vores forpligtelse til løbende at forbedre vores produkter, forbeholder vi os retten til at foretage ændringer på dem på baggrund af tekniske fremskridt i forhold til deres tekniske og funktionelle egenskaber og udseende.

**Vigtigt:**

Inden du installerer og bruger dette apparat, skal denne Installations- og brugsvejledning læses grundigt, hvilket tillader dig hurtigt at blive bekendt med apparatets virkemåde.

1 / BEMÆRKNINGER TIL BRUGEREN	
• Sikkerhedsanbefalinger _____	111
• Miljøbeskyttelse _____	116
• Beskrivelse af apparatet _____	117
2 / INSTALLATION AF APPARATET	
• Brug med udsugningsversionen _____	118
• Brug med recirkuleringsversionen _____	118
• Elektriske tilslutninger _____	119
• Samling af emhætten _____	120
• Samling af ventilationsskakten	
° Udsugning til det fri _____	121
° Recirkulering _____	122
3 / BRUG AF APPARATET	
• Beskrivelse af knapper _____	123
4 / PLEJE OG RENGØRING AF APPARATET	
• Udskiftning af filterelementerne _____	124
• Udskiftning af kulfiltret _____	124
• Rengøring af de udvendige overflader _____	125
• Udskiftning af pæren _____	125
• Vedligeholdelse af apparatet _____	126
5 / FEJLFINDING _____	127
6 / EFTERSALGSSERVICE _____	128

**Vigtigt**

Gem denne brugsanvisning sammen med apparatet. Hvis apparatet på noget tidspunkt sælges eller videregives til andre, skal du sørge for, at den nye ejer får denne brugsanvisning. Gør dig venligst bekendt med disse anbefalinger inden du installerer og bruger emhætten. Anbefalingerne er udarbejdet for at værne om din og andres sikkerhed.

Sikkerhed og vigtige forsigtighedsregler

Denne vejledning findes også på Brandt mærkets hjemmeside.

Læs venligst disse anvisninger, før du installerer og bruger dit apparat. De er blevet udarbejdet af hensyn til din egen og andres sikkerhed. Opbevar denne vejledning sammen med dit apparat. Hvis apparatet sælges til en anden person, skal du sørge for at denne vejledning følger med.

- Da vi konstant ønsker at forbedre vores produkter, forbeholder vi os ret til at foretage ændringer af deres tekniske, funktionelle eller æstetiske egenskaber i forbindelse med den tekniske udvikling.
- Vi anbefaler at skrive dit apparats varenummer op på siden "Kundeservice", så du let kan finde det, hvis du får brug for det.

Vigtige forsigtighedsregler

- Dette apparat er designet til at blive brugt i en almindelig husholdning. Det må ikke anvendes til en erhvervsmæssig eller industriel brug eller til andre formål end det, det er beregnet til.
- Når dette apparat modtages, skal det straks pakkes ud. Kontroller apparatets generelle fremtoning. Formulér eventuelle forbehold skriftligt på fragsedlen og behold et eksemplar af den.
- Dette apparat kan bruges af børn på mindst 8 år og af personer med et fysisk, sensorisk eller mentalt handicap eller manglende kendskab, hvis de er under korrekt opsyn eller hvis de har modtaget instrukser om sikker brug af apparat og hvis der er taget højde for de risici, de udsætter sig for. Børn må ikke lege med apparatet. Brugerens rengøring og vedligeholdelse af apparatet må ikke udføres af børn uden opsyn.
- OBS: De dele, der er tilgængelige på denne emhætte, kan blive meget varme, når emhætten bruges over et komfur.

Elektriske risici

- Alle strømkredsløb skal afbrydes, før man får adgang til tilslutningsklemmerne. Hvis el-kablet er beskadiget, skal det udskiftes af producenten, dennes eftersalgsservice eller en person med lignende kvalificering for at undgå enhver fare.
- For at afbryde strømmen kan man forudse at tilslutte apparatet ved en tilgængelig stikkontakt eller indskyde en afbryder i kredsløbet i overensstemmelse med installationsreglerne.
- Forsøg ikke at ændre eller foretag ikke ændringer af dette apparats egenskaber. Det kan være farligt for brugeren.
- Reparationer må udelukkende udføres af en autoriseret tekniker.
- Tag altid emhættens stik ud før rengøring eller vedligeholdelse.
- Rengør aldrig apparat ved hjælp af dampspuling eller højtryksspuling (krav i forbindelse med elektrisk sikkerhed).
- For at afbryde strømmen kan man forudse at tilslutte apparatet ved en tilgængelig stikkontakt eller indskyde en afbryder i kredsløbet i overensstemmelse med

Installationsreglerne.

- Forsøg ikke at ændre eller foretag ikke ændringer af dette apparats egenskaber. Det kan være farligt for brugeren.
- Reparationer må udelukkende udføres af en autoriseret tekniker.
- Tag altid emhættens stik ud før rengøring eller vedligeholdelse.
- Rengør aldrig apparat ved hjælp af dampspuling eller højtryksspuling (krav i forbindelse med elektrisk sikkerhed).

Risiko for kvælning

- Bestemmelserne vedrørende udledning af luft skal overholdes. Luften må ikke føres ind i kanaler, der bruges til at udlede røg fra apparater, som fungerer med gas eller et andet brændstof (gælder ikke for apparater, som udelukkende fører luften tilbage i rummet).
- Der skal forudses passende ventilation af rummet, når en emhætte bruges samtidig med apparater, der fungerer med gas eller et andet brændstof (gælder ikke for apparater, som udelukkende fører luften tilbage i rummet).

Risiko for antændelse

- Det er forbudt at flambere fødevarer eller lade gasblus fungere under emhætten uden gryde eller pande (flammerne, som suges op, risikerer at beskadige apparatet).
- Hvis der laves friturestegninger under emhætten, skal det ske under konstant opsyn. Meget varm olie og fedt kan antænde.
- Overhold intervallerne mellem rengøring og udskiftning af filtre. Ophobning af fedtdepoter indebærer en risiko for antændelse.
- Det er ikke tilladt at bruge emhætten ovenover et ildsted (træ, kul m.m.).
- Når emhætten er placeret ovenover et gaskomfur, skal den minimale afstand mellem komfurets overflade og den nederste del af emhætten være på mindst 70 cm. Hvis brugsanvisningen til det installerede komfur under emhætten specificerer en større afstand end 70 cm, skal denne afstand overholdes.



Advarsel

Hvis dit køkken er opvarmet af en anordning, som er tilsluttet en skorsten (for eksempel en brændeovn skal "recirkulerings-" versionen af emhætten installeres. Brug ikke emhætten uden metalfiltrene.

Der bør sørges for hensigtsmæssig ventilering i lokaler, hvor emhætten bruges samtidigt med apparater, som bruger gas eller et andet brændbart drivmiddel.

• MILJØBESKYTTELSE

– Dette apparats emballagemateriale er genbrugeligt. Hjælp med at genbruge det og beskyt miljøet ved at aflevere det på et kommunalt genbrugscenter til dette formål.

– En stor del af apparatets materiale er også genbrugeligt. Det er mærket med denne etiket for at indikere de brugte dele af apparatet, som ikke bør blandes med andet affald.



Således vil genanvendelsen af apparatet, der organiseres af fabrikanten, blive udført under de bedst mulige forhold, i henhold til EU-direktivet 2002/96/EF om Affald af elektrisk og elektronisk udstyr. Kontakt din kommune eller din forhandler for at blive oplyst om genbrugscentraler i nærheden af, hvor du bor.

– Vi takker dig for, at du gør dit til at beskytte miljøet.

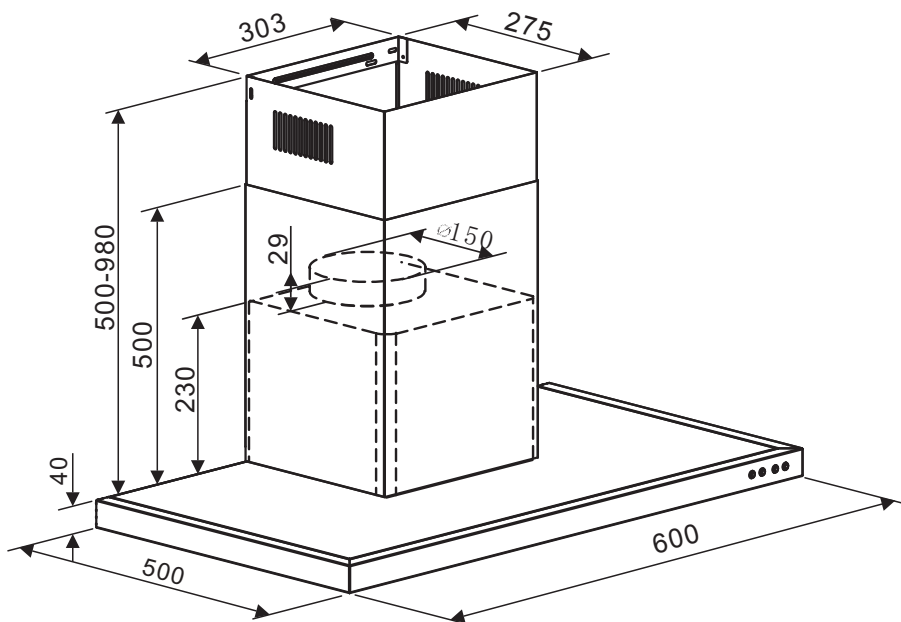
**Advarsel**

Installationen bør kun udføres af installatører og kvalificerede teknikere.

**Advarsel**

Fjern beskyttelsesfolien fra filtret inden brug.

• BESKRIVELSE AF APPARATET



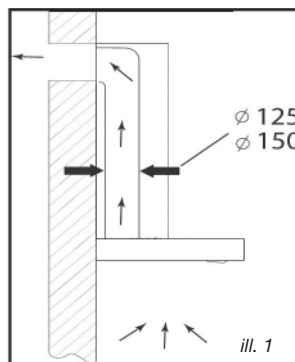
- Dette apparats stik skal være taget ud af stikkontakten under installation, samt når der udføres reparationer og vedligeholdelse.
- Du skal sikre dig at nettets spænding svarer til spændingen på identifikationsskilt, som findes på indersiden af emhætten.
- Hvis el-installationerne i din bolig kræver nogen form for ændringer for at kunne tilslutte apparatet, skal du tilkalde en professionel elektriker.
- Hvis emhættens bruges med udsugningsversionen, må apparatet ikke tilsluttes en aftrækskanal til brændbare gasser (fyrkedel, storsten, osv) eller til et kontrolleret mekanisk ventileringsystem.
- Aftrækskanalen må under ingen omstændigheder udledes til et loftsrum.
- Installer emhætten med en forsvarlig afstand på mindst 70 cm fra et elektrisk kogeblus, et gaskogeblus eller et kombineret kogeblus.

• BRUG MED UDSUGNINGSVERSIONEN

Hvis du har et udtag til det fri

(ill. 1)

Kan emhætten tilsluttes dette udtag med et aftræksrør (diameter på mindst \varnothing mm, som er emaljeret, af aluminium, fleksibelt eller lavet af ubrændbart materiale). Hvis aftrækskanalen er mindre end 125 mm i diameter, **skal du bruge recirkuleringsversionen**.



• BRUG MED RECIRKULERINGSVERSIONEN

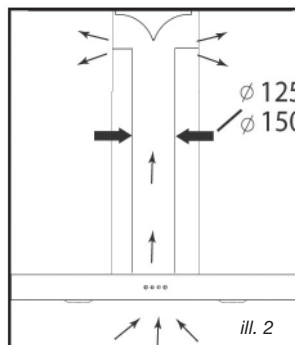
Hvis du ikke har et udtag til det fri

(ill. 2)

Kan alle apparaterne bruges med recirkuleringsversionen.

I så fald skal du påsætte et aktivt kulfilter, som vil holde på lugte.

(Se kapitel 4: Udsiftning af kulfiltret.)



Gode råd om energibesparelse

For optimal brug af dit apparat skal du begæmse antallet af knærør og rørlængden mest muligt.

• ELEKTRISKE TILSLUTNINGER

Under installation og vedligeholdelse skal apparatets stik være taget ud af elforsyningsnettet; sikringer skal slås fra eller fjernes.

De elektriske tilslutninger foretages inden apparatet installeres i sin kasse.

Kontroller at:

- den elektriske installation har tilstrækkelig spænding,
- elkablerne er i god stand,
- kablernes diameter overholder installationskravene.



Advarsel

Apparatet leveres med en elledning til H 05 VVF, som har tre 0,75 mm² ledere (nul, fase og jord). Det skal tilsluttes el-nettet (som skal have en spænding på 220-240 V) via et godkendt strømudtag, som skal være tilgængeligt efter installationen i henhold til retningslinjerne for installation.

Fabrikanten kan ikke stilles til ansvar for eventuelle ulykker forårsaget af en ikke-eksisterende, defekt eller forkert jordledning. Sikringen til installationen skal være på 10 eller 16A. Hvis elledningen er beskadiget, skal du kontakte afdelingen for eftersalgsservice for at undgå farer.



Advarsel

Hvis den elektriske installation i din bolig kræver ændringer for at dit apparat kan tilsluttes, skal en professionel elektriker tilkaldes.



Advarsel

Hvis emhætten udviser nogen form for defekter, skal du tage stikket ud eller fjerne den sikring, som hører til det elektriske udtag, hvor apparatet er isat.

• SAMLING AF EMHÆTTEN



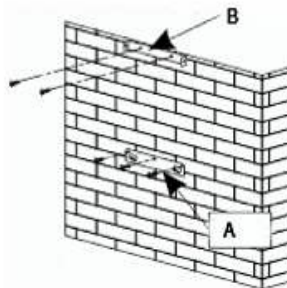
Advarsel

Emhætten skal installeres i overensstemmelse med alle gældende regler for ventilering og aftrækskanaler. I Frankrig er disse regler beskrevet i DTU 61.1 fra CSTB. I særdeleshed må den udsugede luft aldrig ledes ud igennem en kanal, som bruges til at udsuge røg fra apparater, som bruger gas eller andre brændbare drivmidler. Kanaler som ikke er i brug må kun bruges efter godkendelse fra en kompetent specialist.

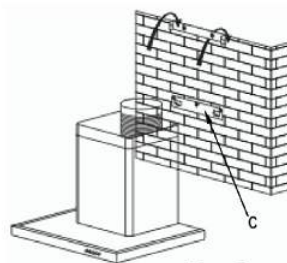
Minimumsafstanden mellem komfurets overkant og emhættens nederste del skal være mindst 70 cm. Hvis anvisningerne til det blus som er installeret under emhætten foreskriver en afstand på over 70 cm, skal dette krav respekteres.

Montering på væggen:

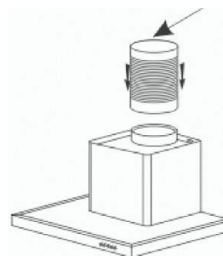
- Afmærk en vandret linje på væggen, centreret i forhold til komfurets overflade.
- Afmærk på væggen de tre huller som skal bores ved hjælp af den medfølgende holder til emhætten samtidig med, at du observerer den anbefalede afstand. (del A III. 1).
- Bor de tre huller med en diameter på 8 mm i en passende position og isæt rawlplugs.
- Inden emhætten fastgøres, skal du montere kontraventilen på motorens udgang.
- Fastgør emhættens fastgørelsesbeslag, sørg for at det er nøjagtigt nivelleret. (del A III. 1).
- Fastgør flex-udsugningsslangen (medfølger ikke) til motorens udgang uden af forhindre kontraventilens bevægelse. (III. 3).
- Monter og fastgør emhættens hoveddel på det tilhørende støttebeslag med de medfølgende skruer til dette formål. (III. 2).



III. 1



III. 2



III. 3

• **SAMLING AF VENTILATIONSSKAKTEN**

• **Udsugning til det fri**

– Beregn den endelige højde, hvor aftrækskanalens u-beslag skal fastgøres (del B III. 1).

– Afmærk de to huller herefter.

– Bor hullerne med en diameter på 8 mm og fastgør kanalens støttebeslag, sørg for at det er fastgjort på samme akse som emhætten (del B III. 1).

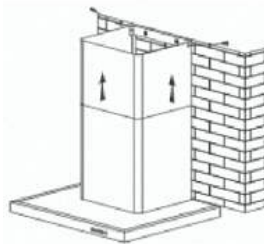
– Fastgør det flade beslag bag på kanalens nedre del. Illu. 6

– Fastgør de to kanaler til emhætten. (Ill. 5).

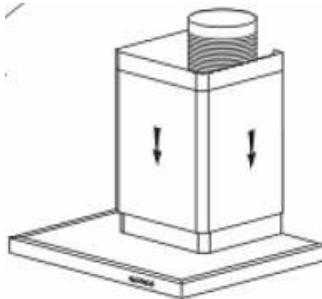
– Tilslut flexslangen til luftudtaget til det fri.

– Foretag den elektriske tilslutning til emhætten med kablet fra el-nettet.

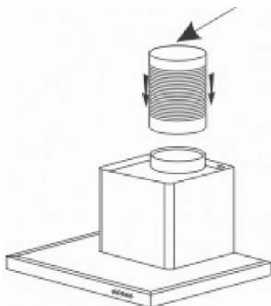
– Løft den øvre kanal op til loftet og fastgør den til beslaget med skruerne.



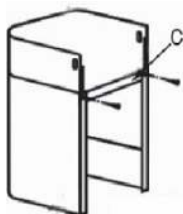
Illu. 6



Illu. 5



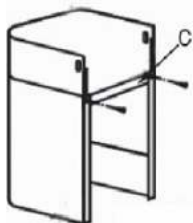
Illu. 3



Illu. 4

• Recirkulering

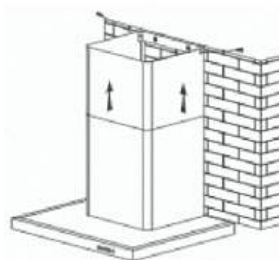
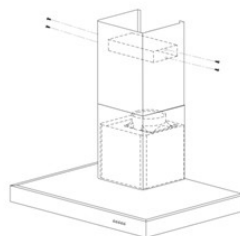
- Beregn den endelige højde, hvor aftrækskanalens U-beslag skal fastgøres.
- Afmærk de to huller.
- Bor hullerne med en diameter på 8 mm og fastgør kanalens støttebeslag, sørg for at det er fastgjort på samme akse som emhætten.
- Fastgør det flade beslag bagpå kanalens nedre del.
- Monter slange-tilpasningsstykket på deflektoren (Ill. 8).
- Tilslut flexslangen til deflektoren.
- Monter kanalens to dele på emhætten (Ill. 5).
- Monter deflektoren (Illu. 8) på kanalens øvre del ved ventilationsindtagene (Ill. 6)
- Foretag den elektriske tilslutning til emhætten med kablet fra el-nettet.
- Løft den øvre kanal op til loftet og fastgør den til beslaget med de to skruer.



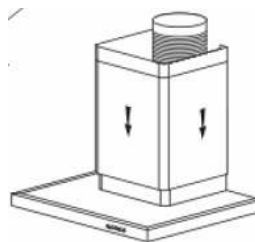
Illu. 4



Illu. 8



Illu. 6



Illu. 5



Råd

For at udnytte apparatet optimalt, anbefaler vi, at du tilslutter emhætten til et aftræksrør med en diameter på 150 mm (medfølger ikke). Reducer antallet af vinkler og knæk samt aftræksrørets længde. Hvis emhætten skal bruges med udsugning til det fri, bør du sørge for tilstrækkelig tilførsel af frisk luft for at undgå undertryk i lokalet.



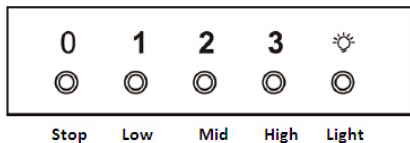
Vigtigt

Fjern ikke sikkerhedsfolien med nogen form for værktøj.

• **BESKRIVELSE AF KNAPPER**

Trykknop

1. Tryk på stop-kappen, motoren afbrydes
2. Tryk på Low-kappen (Lav), brummeren lyder én gang og motoren kører ved lav hastighed.
3. Tryk på Mid-kappen (Middel), brummeren lyder én gang og motoren kører ved middel hastighed.
4. Tryk på High-kappen (Høj), brummeren lyder én gang og motoren kører ved høj hastighed.
5. Tryk på light-kappen (lys), der tændes to lys. Tryk på den igen, lyset slukkes.



Gode råd om energibesparelse

Reguler tilberedningshastigheden efter tilberedningsmåden og antallet af gryder. Brug først og fremmest de bagerste blus på kogeapparatet.

**Advarsel**

Stikket skal altid tages ud inden emhætten rengøres, og inden der foretages andre formler for vedligeholdelse. Regelmæssig vedligeholdelse af apparatet er en garanti for korrekt funktion, god ydeevne og levetid.

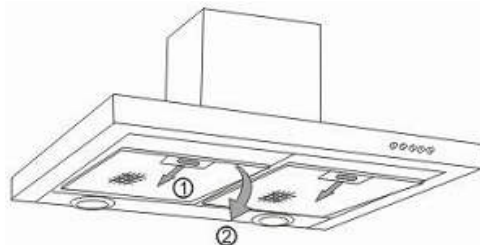
**Advarsel**

Respekteres retningslinjerne for rengøring af apparat og filtre ikke, kan de forårsage brand. Følg omhyggeligt anbefalingerne vedrørende vedligeholdelse.

• RENGØRING AF FILTERELEMENTERNE

Filtrene skal rengøres efter cirka 30 timers brug eller mindst en gang om måneden.

Brug en børste, varmt vand og opvaskemiddel. Skyl og tør filtrene grundigt inden de sættes tilbage i emhætten.



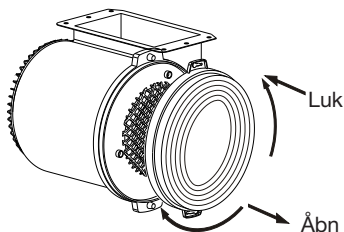
• Aftagning af filterelement

- Drej det indbyggede greb til filterelementet.
- Vip filterelementet nedad.

• UDSKIFNING AF KULFILTRET (kulfilter valgfrit)

Udskift kulfiltret efter cirka 120 timers brug.

- Fjern filterelementet.
- Drej kulfiltret for at kunne fjerne det.
- Udfør forløbet i omvendt rækkefølge, når det nye filter skal sættes på igen.
- Sæt filterelementerne tilbage.



• **RENGØRING AF DE YDRE OVERFLADER**

Brug sæbevand til rengøring af emhættens ydre flader, men brug aldrig slibemidler, ætsende rengøringsmidler, skrubbесvampe eller børster. Tørres af med en blød fugtig klud.

• **UDSKIFNING AF PÆREN**

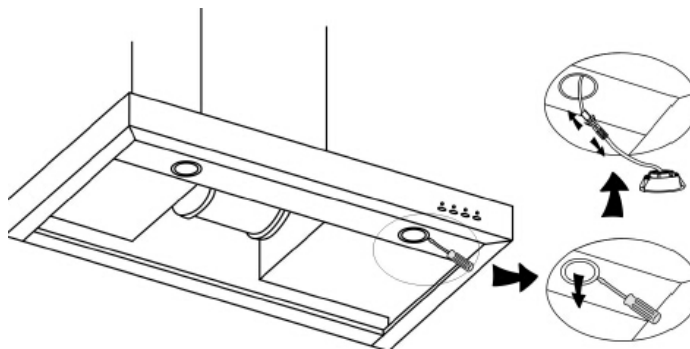


Advarsel

Inden der udføres nogen form for opgaver, skal strømforsyningen til emhætten slås fra, enten ved at tage emhættens stik ud eller ved hjælp af kredsafbryderen.

Model med LED

- Fjern skærmen
- Udskift LED.
- Sæt delene på plads ved at gentage disse trin i omvendt rækkefølge.



**Advarsel**

Inden der udføres nogen form for opgaver, skal strømforsyningen til emhætten slås fra, enten ved at tage emhættens stik ud eller ved hjælp af hovedafbryderen.

• **VEDLIGEHOLDELSE AF APPARATET**

VEDLIGEHOLDELSE	DET SKAL DU GØRE	PRODUKTER/TILBEHØR SOM SKAL BRUGES
Øvre overflader og tilbehør	Brug aldrig metal-skrubbesvampe, slibe-produkter eller meget hårde børster.	Til rengøring af hoveddelen og lysdelen, bør der kun bruges produkter fortyndet med vand og som fjernes med rent vand og tørres med en blød fugtig klud.
Filterelementer	Dette filter opfanger fedtdampe og støv. Denne komponent spiller en vigtig rolle i emhættens effektivitet. Hvis der opstår genstridige pletter, kan du bruge en ikke-slibende creme og skylle efter med rent vand.	Brug et rengøringsprodukt som kan købes i en almindelig handel, skyl med rigeligt vand og tør. Disse filtre kan vaskes i opretstående stilling i opvaskemaskinen. (De må ikke komme til at røre beskidt service eller sølvtoj.)
Aktiveret kulfilter	Dette filter opfanger lugte og skal udskiftes mindst en gang om året afhængig af brugsintensiteten. Disse filtre bør bestilles hos forhandleren (opgiv referencen på indentitetsskiltet, som sidder på emhættens inderside) og noter datoen, hvor filteret blev skiftet.	

SYMPTOMER	LØSNINGER
Emhætten virker ikke...	Kontroller at: <ul style="list-style-type: none">• Strømmen ikke er slået fra.• En hastighed er valgt.
Emhættens præstation er utilstrækkelig...	Kontroller at: <ul style="list-style-type: none">• Den valgte motorhastighed er tilstrækkelig for den mængde af mados og damp som skal suges ud.• Køkkenet er tilstrækkeligt ventileret for at tillade indtag af frisk luft.• Kulfiltret ikke er opbrugt (emhætte som fungerer med recirkuleringsversionen).
Emhætten er gået i stå	Kontroller at: <ul style="list-style-type: none">• Strømmen ikke er slået fra.• De enpolde automatsikringer ikke er blevet aktiveret.

Al vedligeholdelse på dit udstyr bør foretages af:

- enten din forhandler,
- eller en anden kvalificeret mekaniker, som er autoriseret til reparation af apparater af dette mærke.

Når du laver aftale med ovenstående, skal du opgive hele dit udstyrs reference (model, type og serienummer). Disse oplysninger findes på fabrikantens navneskilt påsat dit udstyr.

DK Miljøvenlig designinformation / Teknisk datablad

Denne enhed overholder de delegerede regulativer (EU) 65/2014 og 66/2014 for Europakommissionen om de økologiske designkrav og energimærkning af husholdningsemhætters.

	Symbol	Værdi	Enhed
Mærke	Brandt		
Modelnummer	AD1515X		
Årligt energiforbrug	AEC	56,1	kWh/annum
Energieffektivitetsindeks	EEi	62,5	-
Dynamisk væske effektivitetsindeks	FDE	24,3	-
Belysnings effektivitetsindeks	LE	30,4	-
Fedt filtreringseffektivitet	GFE	77,2	-
Tids stigningsfaktor	<i>f</i>	1,1	-
Emhættens maksimale volumetriske luftstrøm	Q_{max}	586,3	m ³ /h
Volumetrisk luftstrøm ved det bedste effektivitetspunkt	Q_{BEP}	321,6	m ³ /h
Statisk tryk ved det bedste effektivitetspunkt	P_{BEP}	354	P
Strømforsøg ved det bedste effektivitetspunkt	W_{BEP}	130,3	W
Belysningssystemets nominelle strømforsøg	W_L	5,2	W
Belysningssystemets gennemsnitlige oplysning	E_{middle}	158	Lux/W
Strømforsøg i slukket tilstand	P_o	0	W
Strømforsøg i slumretilstand	P_s	-	W
Volumetrisk luftstrøm ved maksimal hastighedindstilling i normal tilstand	-	586,3	m ³ /h
Volumetrisk luftstrøm ved minimal hastighedsindstilling i normal tilstand	-	360,2	m ³ /h
Volumetrisk luftstrøm i intensiv/forstærket tilstand	-	-	m ³ /h
Lydeffektmissioner ved maksimal hastighedsindstilling i normal tilstand	-	70	dB(LWA)
Lydeffektmissioner ved minimal hastighedsindstilling i normal tilstand	-	60	dB(LWA)
Lydeffektmissioner i intensiv/forstærket tilstand	-	-	dB(LWA)

Som en del i vårt arbete att hela tiden förbättra våra produkter så vill vi meddela att vi förbehåller oss rätten att göra ändringar baserade på tekniska framsteg och ändra funktion och utseende utan föregående information.



Varning:
Innan du installerar och använder din apparat bör du läsa igenom informationen i denna manual noggrant. Detta gör att du kan bekanta dig med apparaten innan du använder den.

1 / INFORMATION TILL ANVÄNDAREN	132
● SÄKERHETSINFORMATION	132
● MILJÖSKYDD	137
● BESKRIVNING AV APPARATEN	138
2 / INSTALLERA DIN APAPRAT	139
● ANVÄND UTSUGNINGSLÄGET	139
● ANVÄND ÅTERVINNINGSLÄGET	139
● ELEKTRISKA ANSLUTNINGAR	140
● SÄTT IHOP SPISKÅPAN	141
● SÄTTA IHOP VENTILATIONSTRUMMAN	142
• Utsug till utomhusmiljö	141
• Återvinning	143
3 / ANVÄND DIN APPARAT	144
● ATT ANVÄNDA DIN SPISKÅPA	144
4 / RENGÖRING OCH UNDERHÅLL AV DIN APPARAT	145
● RENGÖR FILTERPATRONERNA	145
● Plocka isär filterpatronerna	145
● BYTA UT KOLFILTREN (valfritt)	145
● RENGÖR YTTERHÖLJET	146
● BYT UT GLÖDLAMPAN	146
● UNDERHÅLL AV DIN APPARAT	147
5 / FELSÖKNING	148
6 / SERVICE OCH SUPPORT	149

**Observera:**

Förvara den här manualen väl för framtida bruk. Om du säljer apparaten eller för den vidare till tredje person så ska du se till så att manualen medföljer. Vänligen läs igenom informationen nedan innan du påbörjar installationen och innan du börjar använda apparaten. Detta för din och andras säkerhet.

Säkerhet och viktiga försiktighetsåtgärder

Denna bruksanvisning finns även på märket Brandts webbplats.

Studera dessa råd innan du installerar och använder din apparat. De har utarbetats för din och andras säkerhets skull. Spara denna bruksanvisning tillsammans med apparaten. Se till att bruksanvisningen medföljer apparaten om den skulle säljas eller överlåtas till någon annan.

- Vår strävan är att ständigt förbättra våra produkter och vi förbehåller oss därför rätten att göra varje ändring av deras specifikationer i tekniskt, funktionellt eller utseenderelaterat hänseende med anknytning till den tekniska utvecklingen.
- För att i framtiden lätt hitta referensnummer för er apparat rekommenderar vi att du skriver ned dem på sidan Kundservice.

Viktiga föreskrifter

- Denna apparat har konstruerats för att användas av privatpersoner på deras bostadsort. Använd den inte i kommersiellt eller industriellt syfte eller för annat ändamål än för det den har konstruerats.
- Packa upp eller låt packa upp apparaten omedelbart vid mottagandet. Kontrollera dess allmänna skick. Notera eventuella förbehåll skriftligen på leveransnotan och spara ett exemplar av denna.
- Denna apparat kan användas av barn som är minst åtta år gamla och av personer med nedsatt fysisk, sensorisk eller mental förmåga eller person som saknar erfarenhet eller kunskaper, då sådan person står under vederbörlig tillsyn eller har erhållit anvisningar om hur apparaten används på ett säkert sätt och om de risker som föreligger har uppfattats. Barn får inte leka med apparaten. Rengöring och underhåll av användare får inte utföras av barn utan tillsyn.
- Observera: De delar som är åtkomliga på denna apparat kan bli varma när den används med apparater avsedda för matlagning.

Elrisker

- Samtliga strömförsörjningskretsar måste fränkopplas innan man närmar sig anslutningsplintarna. För att undvika fara måste nätsladden, om den är skadad, bytas av tillverkaren, dennes servicepersonal eller någon med motsvarande behörighet.
- Fränkoppling kan uppnås genom att se till att nätkontakten är åtkomlig eller genom att integrera en brytare i de fasta ledningarna enligt installationsbestämmelserna.
- Ändra inte eller försök ändra denna apparats egenskaper. Det skulle medföra fara för dig.
- Reparation ska endast utföras av auktoriserad specialist.
- Koppla alltid från fläkten före rengöring och service.
- Använd aldrig apparat som använder ånga eller högtryck för att rengöra apparaten (krav som rör elsäkerheten).
- Fränkoppling kan uppnås genom att se till att nätkontakten är åtkomlig eller genom att integrera en brytare i de fasta ledningarna enligt installationsbestämmelserna.
- Ändra inte eller försök ändra denna apparats egenskaper. Det skulle medföra fara för dig.

- Reparation ska endast utföras av auktoriserad specialist.
- Koppla alltid från fläkten före rengöring och service.
- Använd aldrig apparat som använder ånga eller högtryck för att rengöra apparaten (krav som rör elsäkerheten).

Kvävningsrisk

- Bestämmelser rörande uttag av frånluft måste respekteras. Luften får inte föras ut i ledning som används för utluftning av ångor från apparater som använder gas eller annat bränsle (gäller inte för apparater som endast för ut luft i rummet).
- Vederbörlig luftväxling i rummet måste säkerställas då köksfläkten används samtidigt med apparater som använder gas eller annat bränsle (gäller inte för apparater som endast för ut luft i rummet).

Brandrisk

- Det är förbjudet att flambra mat eller att använda gasbrännare utan kokkärl under fläkten (lågor som sugas in skulle riskera att skada apparaten).

- Fritering under apparaten måste göras under ständig tillsyn. Olja och fett som blir mycket varma kan antändas.
- Respektera intervall för rengöring och filterbyte. Ansamling av fett riskerar att orsaka eldsvåda.
- Användning över en eldhärd (ved, kol m.m.) är inte tillåten.
- Om köksfläkten placeras över en apparat som fungerar med gas ska avståndet mellan hällens övre del och fläktens undre del vara minst 70 cm. Om anvisningarna till den häll som finns installerad under fläkten anger ett längre avstånd än 70 cm ska detta beaktas.

**Observera:**

I de fall där ett kök värms upp av en apparat som är ansluten till en skorsten (t ex en kamin) så ska "återvinning" versionen av kåpan installeras. Använd inte kåpan utan metallfilter.

Bra ventilation måste finnas i rummet då kåpan används samtidigt som maskiner/apparater som drivs av bensin/gas eller liknande bränslen.

● MILJÖSKYDD

- Den här apparatens förpackningsmaterial kan återvinnas. Gör detta för att skydda miljön genom att lämna materialet på den återvinningscentral som anvisas av din kommun.

- Din apparat innehåller också mycket material som kan återvinnas. Detta är märkt med en etikett som indikerar att elektroniskt avfall inte bör blandas med vanligt hushållsavfall.



På detta sätt kan apparaten till stora delar återvinnas av din tillverkare under bästa möjliga förhållanden enligt det Europeiska direktivet 2002/96/EC förändring elektriskt avfall och elektronisk utrustning. Vänd dig till din återförsäljare för information om vart du kan lämna apparaten för återvinning.

- Vi tackar dig för att du gör din del i att skydda miljön.



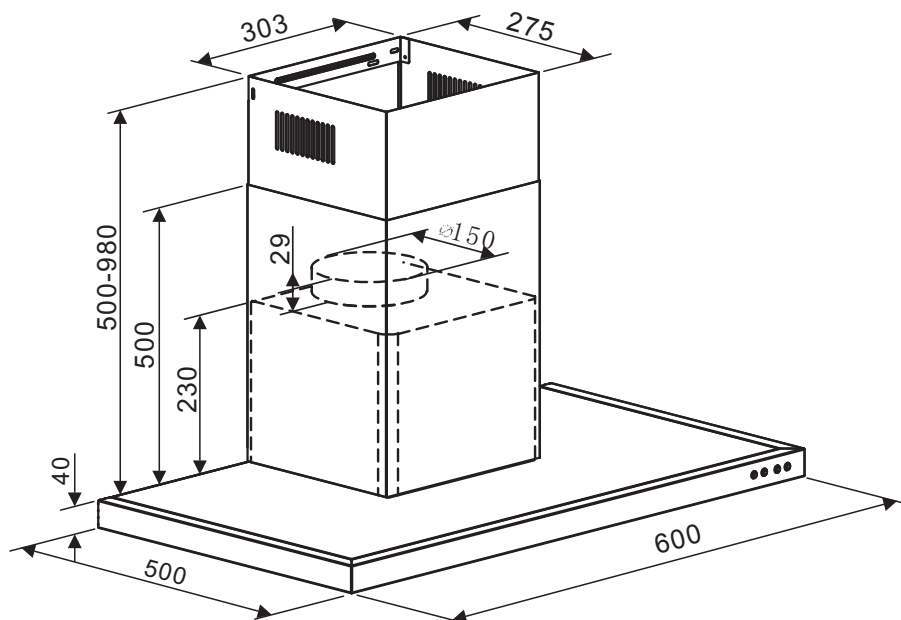
Varning

Installationen bör bara utföras av kvalificerade tekniker eller annan kompetent personal.



Varning

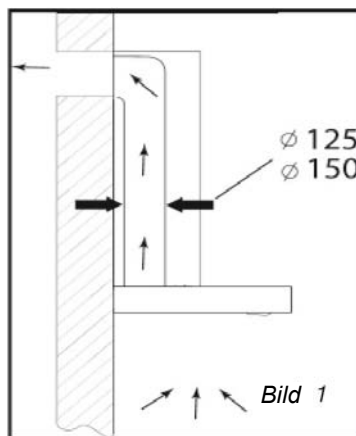
Ta bort det skyddande plasthöljet från patronfiltret innan första användning.

● **BESKRIVNING AV APPARATEN**

- Apparaten måste vara fränkopplad från elnätet då du utför underhåll eller eventuella reparationer.
- Se till att elnätet i ditt hem motsvarar de specifikationer som finns angivna på identifikationsplattan på insidan av kåpan.
- Om den elektriska installationen i ditt hem kräver ändringar för att sätta upp din apparat bör du ta hjälp av en professionell elektriker.
- Om kåpan används i utsugningsläge ska du inte ansluta apparaten till systemet där förbränningsgas leds ut (t ex från din vedpanna, skorsten, etc) eller till ett CMV system (kontrollerat mekaniskt ventilationssystem).
- Du ska inte under några som helst omständigheter låta utsläppen gå direkt upp på vinden.
- Installera kåpan på ett säkert avstånd på minst 70cm från elektriska, eller gasdrivna kokplattor.

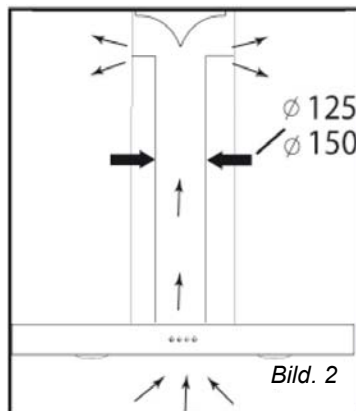
● ANVÄND UTSUGNINGSLÄGET

Om du har ett utlopp till utomhusmiljö (bild. 1) Din kåpa kan anslutas till det här systemet med hjälp av en rökkanal (minsta diameter \emptyset mm som är emaljerad, i aluminium, flexible eller är tillverkad av oantändligt material). Om din rökkanal är mindre än 125mm i diameter så måste du använda återvinningsläget.



● ANVÄND ÅTERVINNINGSLÄGET

Om du inte har ett utlopp till utomhusmiljö (bild. 2) Alla våra apparater kan köras i återvinningsläget. I detta fall ska du sätta i ett aktivt kolfilter som håller ute dåliga lukter. (Se kapitel 4: att byta kolfilter.)



Energisparråd

Optimal drift av apparaten uppnås genom att ha så kort kanal och så få krökar som möjligt.

● ELEKTRISKA ANSLUTNINGAR

Vid installation och underhåll så måste apparaten vara frånsluten från elnätet.

Säkringar måste slås av eller tas ur.

Elektriska anslutningar ska göras innan apparaten installeras i sitt ytterhölje.

Se till att:

- den elektriska installationen har tillräckligt hög spänning;
- att de elektriska kablarna är i gott skick;
- att diametermåtten på kablarna överensstämmer med installationskraven.



Varning

Den här apparaten levereras med en H 05 VVF strömkabel som har tre 0.75 mm² konduktorer (neutral, fas och jordad).

Kabeln måste anslutas till ett väg gultag (med 220-240 V enkelfas elstandard) via ett CEI 60083 standarduttag som ska gå lätt att komma åt efter installation, allt i enlighet med instruktionerna för installation.

Vi kan inte hållas ansvariga för olyckor som orsakas av en icke-existerande, defekt eller felaktig jordad ledning. Säkringen måste vara antingen 10 eller 16A. Om strömkabeln är skadad bör du vända dig till ett servicecenter för att undvika skaderisk.



Varning

Om elektriska installationer i ditt hem kräver att du gör ändringar för att sätta upp din apparat bör du vända dig till en professionell elektriker.



Varning

Om kåpan inte fungerar som den ska, dra ur kontakten från uttaget och ta ur säkringen för apparaten i ditt säkringsskåp.

● SÄTT IHOP SPISKÅPAN



Varning

Kåpan måste installeras i enlighet med alla gällande regler för ventilation där kåpan ska användas. I Frankrike beskrivs dessa regler i DTU 61.1, utgiven av CSTB. Var särskilt noga med att utsugen luft aldrig bör ledas till ett system som används för att suga ut rök från apparater som drivs av bensin, gas eller liknande bränslen. Icke använda system kan bara användas efter att detta fått grönt ljus från en kompetent specialist.

Det minsta avståndet mellan kokytan och kåpan lägsta del måste vara 70 cm. Om manualen för spisen under kåpan anger ett större avstånd än 70 cm så måste dessa krav respekteras oavsett omständigheter.

Fixera kåpan vid väggen:

- Dra en vertikal linje på väggen, centrerad över kokplatsen.
- Markera tre hål på väggen som måste borrar. Använd de medföljande upphängningskrokarna och var noga med de angivna anstånden.
- Borra de tre hålen med en diameter på 8 mm på en lämplig plats på väggen och sätt i pluggarna (del A, bild 1).
- Innan du fäster kåpan ska du montera backventilen på motorutsuget.
- Säkra kåpans upphängningsenhet och se till så att den sitter helt plant (del A, bild 1.)
- Fixera den förlängningsbara utsugsslangen (medföljer ej) till motorutsuget utan att begränsa rörligheten på backventilen.
- Fäst och säkra höljet på kåpan på stöden med skruvarna med medföljer för detta syfte.

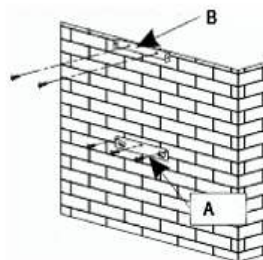


Bild.1

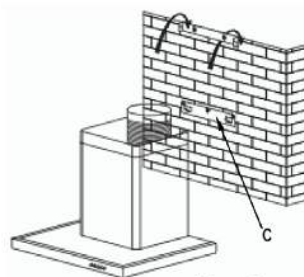


Bild . 2

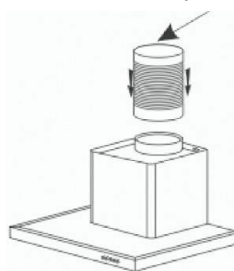


Bild.3

● SÄTTA IHOP VENTILATIONSTRUMMAN

• Utsug till utomhusmiljö

- Beräkna den definitiva höjden för att fixera kanalkonsolens U-fäste (del B, bild 1).
- Markera de två hålen enligt angivelserna.
- Borra hål med 8 mm diameter och se till så att de är fixerade på stödfästet längs samma axel som kåpan (del B, bild 1).
- Fixera den plana konsolen bakom den lägre kanalen (del C, bild 4).
- Fixera de två kanalerna till kåpan.(del bild 5)
- Anslut hylsan till luftuttaget till utomhusmiljö.
- Gör den elektriska anslutningen till kåpan med den medföljande strömkabeln.
- Lyft upp den övre kanalen och fixera den vid fästet med skruvarna.

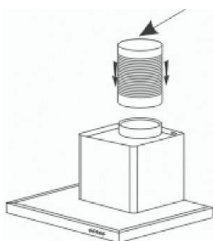


Bild.3

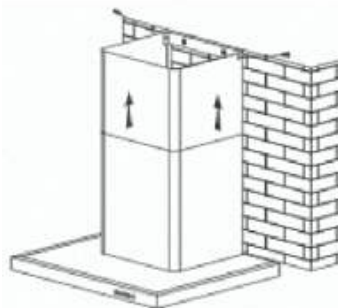


Bild. 6

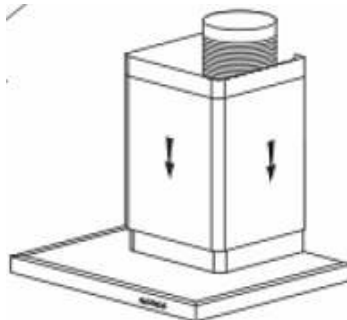


Bild.5

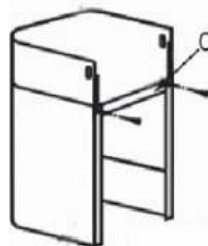


Bild. 4

• Återvinning

- Beräkna den definitiva höjden för att fixera kanalkonsolens U-fäste (del B, bild 1).
- Markera de två hålen enligt angivelserna.
- Borra hål med 8 mm diameter och se till så att de är fixerade på stödfästet längs samma axel som kåpan (del B, bild 1).
- Fixera den plana konsolen bakom den lägre kanalen (del C, bild 4).
- Fäst med hylsadaptern på spridarplattan (Bild 8).
- Anslut den förlängbara hylsan (medföljer ej) till spridarplattan (Bild 8).
- Anslut de två delarna av kanalen till kåpan. (Bild 5)
- Fäst spridarplattan (Bild.8) in i den övre kanalen via ventilationsintagen (Bild 6).
- Gör den elektriska anslutningen till kåpan med den medföljande strömkabeln.
- Lyft upp den övre kanalen till taket och fixera den vid fästet med hjälp av de två skruvarna (Bild 7).

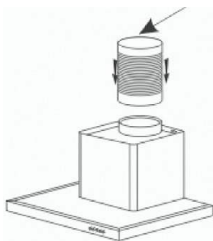


Bild. 3

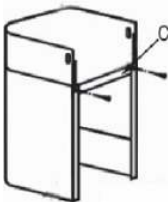


Bild. 4



Bild. 8

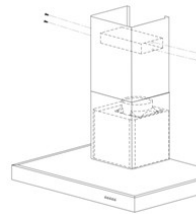


Bild. 6

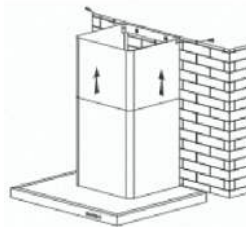


Bild. 7

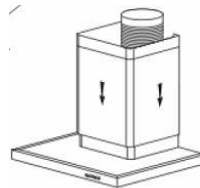


Bild.5



Tips

För optimal prestanda för din apparat rekommenderar vi att du ansluter din kåpa till en 150 mm-diameter rökkanal (medföljer inte i förpackningen). Minimera antalet vinklar och böjar och längden på rökkanalen. I det fall att kåpan ska köras med ett utsug till utomhusmiljö ska du se till att inflödet av frisk luft är tillräckligt för att undvika tryckfall i rummet.

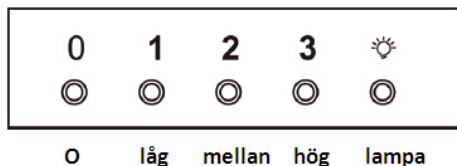


Varning Använd inte verktyg för att ta bort plastskyddet på kåpan.

● ATT ANVÄNDA DIN SPISKÅPA

Hur du använder kontrollpanelen.

1. Tryck först på "0" knappen stannar motorn.
2. Tryck först på "låg" knappen fläktmotorn börjar köras på låg hastighet.
3. Tryck på "mellan" knappen fläktmotorn börjar köras på mediumhastighet.
4. Tryck på "hög" knappen fläktmotorn börjar köras på hög hastighet.
5. Tryck på "lampa" knappen så börjar kåpan att lysas upp. Tryck på knappen igen för att slå av lamporna.

**Energisparråd**

Anpassa hastigheten efter tillagningssätt och antalet kastruller. Använd i första hand spishällens bakre plattor.

**Varning**

Dra alltid ur kontakten från eluttaget innan du rengör kåpan eller påbörjar underhåll. Regelbundet underhåll av apparaten är en garanti för att den ska fungera som den ska, god prestanda och lång livslängd.

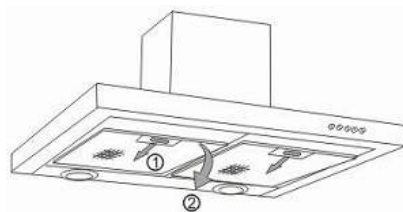
**Varning**

Om du inte följer instruktionerna vid rengöring och underhåll så kan detta orsaka eldsvåda. Var väldigt noga med att följa rekommendationerna för underhåll.

● RENGÖR FILTERPATRONERNA

Dessa måste rengöras efter cirka 30 timmars användning eller minst en gång i månaden.

Använd en borst, hett vatten och ett mildt rengöringsmedel. Skölj och torka av ordentligt innan du sätter tillbaka dem i kåpan.



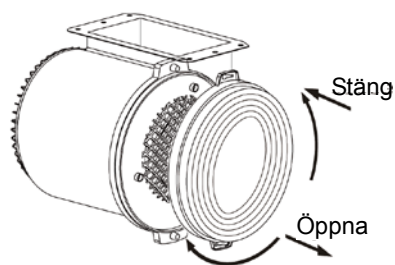
● Plocka isär filterpatronerna

- Vrid handtaget på den inbyggda filterpatronen.
- Luta filterpatronen nedåt.

● BYTA UT KOLFILTREN (valfritt)

Byt ut dessa efter cirka 120 timmars användning.

- Ta ur kolfiltren.
- Vrid kolfiltret för att ta ur det.
- Gör om proceduren baklänges för att sätta tillbaka ett nytt filter.
- Sätt tillbaka filterpatronerna.



SE 4 / RENGÖRING OCH UNDERHÅLL FÖR DIN APPARAT

● RENGÖR YTTERHÖLJET

För att rengöra utsidan av kåpan ska du använda såpavatten. Använd aldrig starka eller slipande rengöringsmedel, skrubborstar eller liknande. Torka av med en mjuk, fuktig trasa.

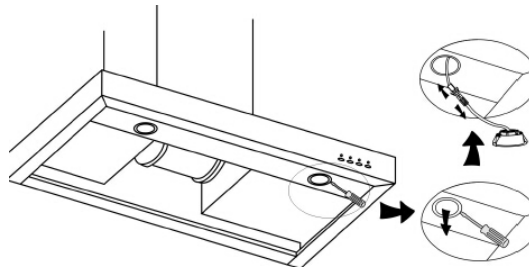
● BYT UT GLÖDLAMPAN



Varning
Innan du börjar denna process ska du först se till att kåpan är avslagen, antingen genom att dra ur kontakten eller genom att använda reglaget för att slå av säkringen.

Modell med LED

- Ta bort belysningsporten.
- Byt ut LED.
- Byt ut LED genom att genomföra processen i omvänd ordning.



**Varning**

Innan underhåll påbörjas måste elanslutningen till kåpan brytas, antingen genom att dra ur kontakten eller genom att slå av säkringen i säkringskåpet.

- **UNDERHÅLL AV DIN APPARAT**

UNDERHÅLL	ATT GÖRA	PRODUKTER/TILLBEHÖR SOM BEHÖVS
Ytterhölje och tillbehör	Använd aldrig stålull eller liknande produkter, ej heller skrubborstar och sådant som kan skada ytan.	För att rengöra hölje och belysningsporten ska du använda vanligt diskmedel utblandat i vatten. Skölj av och torka ordentligt med en mjuk, fuktig trasa.
Filterpatroner	Detta filter gör att fett och damm samlas på vissa platser. Filtret spelar också en viktig roll för att apparaten ska fungera som den ska. Om tuffa fläckar har uppstått så ska du använda ett mildt fläckmedel och sedan skölja rent med vatten.	Använd ett vanligt medel för hushållsbruk och skölj av och torka ordentligt. Dessa filter kan rengöras i vertikalt läge i en diskmaskin. (Låt dem inte komma i kontakt med smutsig disk och annat.)
Aktiverat kolfilter	Det här filtret fångar obehagliga lukter och måste bytas ut minst en gång per år beroende på hur mycket kåpan används. Du kan beställa nya filter från din återförsäljare (du behöver nämna referensnumret på identifikationsplattan) och notera det datum och den tid som filtret byttes ut.	

PROBLEM	LÖSNING
Kåpan fungerar inte...	Se till att: <ul style="list-style-type: none">● Strömtillförseln är påslagen.● Ett hastighetsläge har valts.
Kåpan fungerar inte särskilt bra...	Se till att: <ul style="list-style-type: none">● Den valda fläkthastigheten är tillräcklig för det os som uppstår vid matlagningen.● Köket har bra ventilation så att tillräckligt med frisk luft kommer in.● Kolfiltret inte är slutet (om kåpan kör i återvinningsläge).
Kåpan fungerar inte längre.	Se till att: <ul style="list-style-type: none">● Strömförsörjningen inte har brutits.● Att enspoliga avslagningsenheten inte har aktiverats.

Allt underhåll på din apparat ska utföras av:

- din återförsäljare,
- eller en annan kvalificerad mekaniker som är auktoriserad för underhåll av apparaten.

Då du bokar in ett möte, ange hela referensnumret för din utrustning (modell, typ och serienummer). Den här informationen finns på tillverkarens platta som är fäst på utrustningen.

Denna enhet uppfyller delegerade förordningar (EU) 65/2014 och 66/2014 från Europeiska kommissionen angående konstruktionskrav för eco-utförning och energimärkning av hushållsfläktar.

	Symbol	Värde	Enhet
Märke	Brandt		
Modellnummer	AD1515X		
Årlig energiförbrukning	AEC	56,1	kWh/annum
Energieffektivitetsindex	EEi	62,5	-
Vätskedynamiskt effektivitetsindex	FDE	24,3	-
Belysning effektivitetsindex	LE	30,4	-
Fettfiltreringseffektivitet	GFE	77,2	-
Tidsökningfaktor	f	1,1	-
Spiskåpens maximala volymetriska luftflöde	Q_{\max}	586,3	m^3/h
Volymetriskt luftflöde vid optimal effektivitetspunkt	Q_{BEP}	321,6	m^3/h
Statiskt tryck vid bästa effektivitetspunkt	P_{BEP}	354	P
Strömförbrukning vid bästa effektivitetspunkt	W_{BEP}	130,3	W
Nominell effektförbrukning av belysningssystem	W_L	5,2	W
Genomsnittlig illumination av belysningssystemet	E_{middle}	158	Lux/W
Strömförbrukning i avstängt läge	P_o	0	W
Strömförbrukning i standby-läge	P_s	-	W
Volymetriskt luftflöde vid högsta hastighetsinställning i normalläge	-	586,3	m^3/h
Volymetriskt luftflöde vid minsta hastighetsinställning i normalläge	-	360,2	m^3/h
Volymetriskt luftflöde vid intensiv/Boost-läge	-	-	m^3/h
Bullernivå vid högsta hastighetsinställning i normalläge	-	70	dB(LWA)
Bullernivå vid minsta hastighetsinställning i normalläge	-	60	dB(LWA)
Bullernivå vid intensiv / Boost-läge	-	-	dB(LWA)

GR

15%

Στα πλαίσια της δέσμευσης μας για τη διαρκή βελτίωση των προϊόντων μας, διατηρούμε το δικαίωμα να προβούμε σε αλλαγές με βάση τις τεχνολογικές εξελίξεις των τεχνικών και λειτουργικών χαρακτηριστικών καθώς και της εμφάνισης των προϊόντων.



Προειδοποίηση:
Πριν εγκαταστήσετε και λειτουργήσετε τη συσκευή, διαβάστε προσεκτικά το παρόν Εγχειρίδιο Εγκατάστασης και Χρήσης για να εξοικειωθείτε με τη λειτουργία της συσκ

1 / ΣΗΜΕΙΩΣΕΙΣ ΓΙΑ ΤΟ ΧΡΗΣΤΗ	153
● ΣΥΣΤΑΣΕΙΣ ΑΣΦΑΛΕΙΑΣ	153
● ΠΕΡΙΒΑΛΛΟΝΤΙΚΗ ΠΡΟΣΤΑΣΙΑ	159
● ΠΕΡΙΓΡΑΦΗ ΤΗΣ ΣΥΣΚΕΥΗΣ ΣΑΣ	160
2 / ΕΓΚΑΤΑΣΤΑΣΗ ΤΗΣ ΣΥΣΚΕΥΗΣ ΣΑΣ	161
□ ΧΡΗΣΙΜΟΠΟΙΩΝΤΑΣ ΤΗ ΛΕΙΤΟΥΡΓΙΑ	161
□ ΧΡΗΣΗ ΤΗΣ ΛΕΙΤΟΥΡΓΙΑΣ RECYCLING	161
● ΗΛΕΚΤΡΙΚΕΣ ΣΥΝΔΕΣΕΙΣ	162
● ΣΥΝΑΡΜΟΛΟΓΗΣΗ ΤΟΥ ΑΠΟΡΡΟΦΗΤΗΡΑ	163
● ΣΥΝΑΡΜΟΛΟΓΗΣΗ ΤΟΥ ΦΡΕΑΡ ΕΞΑΕΡΙΣΜΟΥ	165
• Εξωτερική εκκένωση	165
• Recycling-Ανακύκλωση	166
3 / ΧΡΗΣΙΜΟΠΟΙΩΝΤΑΣ ΤΗ ΣΥΣΚΕΥΗΣ ΣΑΣ	168
● ΧΡΗΣΗ ΤΟΥ ΑΠΟΡΡΟΦΗΤΗΡΑ	168
4 / ΚΑΘΑΡΙΣΜΟΣ ΚΑΙ ΦΡΟΝΤΙΔΑ ΤΗΣ ΣΥΣΚΕΥΗΣ ΣΑΣ	169
● ΚΑΘΑΡΙΣΜΟΣ ΤΩΝ ΦΥΣΙΓΓΙΩΝ ΤΟΥ ΦΙΛΤΡΟΥ	169
● Αποσυναρμολόγηση του φυσιγγίου του φίλτρου	169
● ΑΛΛΑΓΗ ΤΟΥ ΦΙΛΤΡΟΥ ΑΝΘΡΑΚΑ (προαιρετική)	169
● ΚΑΘΑΡΙΣΜΟΣ ΤΩΝ ΕΞΩΤΕΡΙΚΩΝ ΕΠΙΦΑΝΕΙΩΝ	170
● ΑΛΛΑΓΗ ΤΗΣ ΛΑΜΠΑΣ ΦΩΤΙΣΜΟΥ	170
● ΣΥΝΤΗΡΗΣΗ ΤΗΣ ΣΥΣΚΕΥΗΣ ΣΑΣ	171
5 / ΑΝΤΙΜΕΤΩΠΙΣΗ ΠΡΟΒΛΗΜΑΤΩΝ	173
6 / ΥΠΟΣΤΗΡΙΞΗ ΜΕΤΑ ΤΗΝ ΠΩΛΗΣΗ	174

**Προσοχή:**

Φυλάξτε αυτό τον οδηγό χρήσης μαζί με τη συσκευή. Εάν η συσκευή πουληθεί ή μεταβιβαστεί σε άλλο άτομο, σιγουρευτείτε ότι ο νέος ιδιοκτήτης θα λάβει τον οδηγό χρήσης. Σας παρακαλούμε να διαβάσετε και να κατανοήσετε τις παρούσες συστάσεις πριν εγκαταστήσετε και λειτουργήσετε τη συσκευή. Γράφτηκαν για τη δικιά σας και την ασφάλεια των άλλων.

Ασφάλεια και σημαντικές προφυλάξεις

Οι παρούσες οδηγίες διατίθενται επίσης στη διαδικτυακή τοποθεσία της εταιρείας Brandt.

Σας παρακαλούμε να διαβάσετε προσεκτικά αυτές τις συμβουλές, πριν από την εγκατάσταση και τη χρήση της συσκευής σας. Προορίζονται για την προστασία της δικής σας ασφάλειας, αλλά και της ασφάλειας των άλλων. Φυλάξτε αυτές τις οδηγίες χρήσης μαζί με τη συσκευή σας. Εάν χρειαστεί να πουλήσετε ή να εκχωρήσετε τη συσκευή σε άλλο άτομο, βεβαιωθείτε ότι οι οδηγίες χρήσης θα συνοδεύσουν τη συσκευή.

- Με γνώμονα τη διαρκή βελτίωση των προϊόντων μας, διατηρούμε το δικαίωμα να πραγματοποιούμε κάθε είδους τροποποιήσεις στα τεχνικά, λειτουργικά ή αισθητικά χαρακτηριστικά τους, οι οποίες αφορούν την τεχνολογική τους εξέλιξη.

- Προκειμένου να βρίσκετε εύκολα στο μέλλον τους αριθμούς αναφοράς της συσκευής σας, σας συνιστούμε να τους σημειώσετε στη σελίδα «Εξυπηρέτηση Πελατών».

Σημαντικές προφυλάξεις

- Η συσκευή αυτή έχει σχεδιαστεί για να χρησιμοποιείται από ιδιώτες στον χώρο κατοικίας τους. Μην τη χρησιμοποιείτε για εμπορικούς ή βιομηχανικούς σκοπούς ή για σκοπούς διαφορετικούς από αυτόν για τον οποίο σχεδιάστηκε.
- Κατά την παραλαβή της συσκευής, αφαιρέστε τη συσκευασία ή φροντίστε να αφαιρεθεί η συσκευασία αμέσως. Ελέγξτε τη γενική της κατάσταση. Διατυπώστε γραπτώς ενδεχόμενες επιφυλάξεις στο δελτίο παράδοσης, του οποίου θα κρατήσετε ένα αντίτυπο.
- Η συσκευή αυτή μπορεί να χρησιμοποιείται από παιδιά ηλικίας τουλάχιστον 8 ετών και από άτομα με περιορισμένες σωματικές, αισθητηριακές ή νοητικές ικανότητες ή με έλλειψη εμπειρίας ή γνώσεων, εφόσον βρίσκονται υπό κατάλληλη επίβλεψη ή τους έχουν δοθεί οδηγίες σχετικά με την ασφαλή χρήση της συσκευής και κατανοούν τους κινδύνους που ενέχονται. Τα παιδιά δεν πρέπει να παίζουν με τη συσκευή. Ο καθαρισμός και η συντήρηση από τον χρήστη δεν πρέπει να πραγματοποιούνται από παιδιά χωρίς επίβλεψη.

- Προσοχή: Τα προσβάσιμα μέρη αυτής της συσκευής μπορεί να αναπτύξουν υψηλές θερμοκρασίες όταν χρησιμοποιείται σε συνδυασμό με συσκευές μαγειρέματος.

Κίνδυνοι ηλεκτροπληξίας

- Προτού προσεγγίσετε το κιβώτιο ηλεκτρικών συνδέσεων, όλα τα κυκλώματα τροφοδοσίας πρέπει να έχουν αποσυνδεθεί. Εάν το καλώδιο τροφοδοσίας έχει υποστεί φθορά, πρέπει να αντικατασταθεί από τον κατασκευαστή, την υπηρεσία σέρβις μετά την πώληση ή από ειδικά καταρτισμένο άτομο, προκειμένου να αποφευχθεί κάθε κίνδυνος.
- Η αποσύνδεση επιτυγχάνεται χρησιμοποιώντας ένα προσβάσιμο φισ συνδεδεμένο σε πρίζα ή ενσωματώνοντας έναν διακόπτη στο σταθερό δίκτυο σύμφωνα με τους κανόνες εγκατάστασης.
- Μην τροποποιείτε ή μην επιχειρήσετε να τροποποιήσετε τα χαρακτηριστικά αυτής της συσκευής. Κάτι τέτοιο θα απέβαινε επικίνδυνο για εσάς.
- Οι επισκευές πρέπει να γίνονται αποκλειστικά από εξουσιοδοτημένο τεχνικό.
- Αποσυνδέετε πάντα τον απορροφητήρα για να τον καθαρίσετε ή για εργασίες συντήρησης.

- Μην χρησιμοποιείτε ποτέ συσκευές με ατμό ή υψηλής πίεσης για να καθαρίσετε τη συσκευή σας (απαιτήσεις σχετικές με τον διακόπτη ασφαλείας).
- Η αποσύνδεση επιτυγχάνεται χρησιμοποιώντας ένα προσβάσιμο φως συνδεδεμένο σε πρίζα ή ενσωματώνοντας έναν διακόπτη στο σταθερό δίκτυο σύμφωνα με τους κανόνες εγκατάστασης.
- Μην τροποποιείτε ή μην επιχειρήσετε να τροποποιήσετε τα χαρακτηριστικά αυτής της συσκευής. Κάτι τέτοιο θα απέβαινε επικίνδυνο για εσάς.
- Οι επισκευές πρέπει να γίνονται αποκλειστικά από εξουσιοδοτημένο τεχνικό.
- Αποσυνδέετε πάντα τον απορροφητήρα για να τον καθαρίσετε ή για εργασίες συντήρησης.
- Μην χρησιμοποιείτε ποτέ συσκευές με ατμό ή υψηλής πίεσης για να καθαρίσετε τη συσκευή σας (απαιτήσεις σχετικές με τον διακόπτη ασφαλείας).

Κίνδυνος ασφυξίας

- Πρέπει να τηρούνται οι κανονισμοί που αφορούν την απαγωγή του αέρα. Ο αέρας δεν πρέπει να διοχετεύεται σε αγωγό που

Χρησιμοποιείται για την απαγωγή των αναθυμιάσεων από συσκευές που χρησιμοποιούν υγραέριο ή άλλο καύσιμο αέριο (δεν ισχύει για συσκευές που εκτελούν μόνο ανακύκλωση του αέρα στο χώρο).

- Πρέπει να προβλέπεται ο κατάλληλος εξαερισμός του χώρου όταν ο απορροφητήρας κουζίνας χρησιμοποιείται ταυτόχρονα με συσκευές που χρησιμοποιούν υγραέριο ή άλλο καύσιμο αέριο (δεν ισχύει για συσκευές που εκτελούν μόνο ανακύκλωση του αέρα στο χώρο).

Κίνδυνοι πυρκαγιάς

- Απαγορεύεται να μαγειρεύετε φαγητά φλαμπέ ή να ανάβετε τις εστίες γκαζιού χωρίς να υπάρχει επάνω κάποιο σκεύος, κάτω από τον απορροφητήρα (τυχόν αναρρόφηση φλόγας ή σπινθήρα θα μπορούσε να προκαλέσει βλάβη στη συσκευή).

- Το τηγάνισμα κάτω από τη συσκευή πρέπει να γίνεται υπό συνεχή επίβλεψη. Τα λάδια και τα λίπη που θερμαίνονται σε πολύ υψηλή θερμοκρασία μπορούν να αναφλεγούν.

- Καθαρίζετε και αντικαθιστάτε τα φίλτρα στα διαστήματα που υποδεικνύονται. Υπάρχει κίνδυνος πρόκλησης πυρκαγιάς από τη συσσώρευση υπολειμμάτων από λίπη.
- Δεν επιτρέπεται η λειτουργία πάνω από ανοικτές εστίες φωτιάς (ξύλα, κάρβουνα κ.λπ.).
- Όταν ο απορροφητήρας της κουζίνας τοποθετείται πάνω από συσκευή υγραερίου, η ελάχιστη απόσταση ανάμεσα στο επάνω μέρος της κουζίνας και στο κάτω μέρος του απορροφητήρα πρέπει να είναι τουλάχιστον 70 εκ. Εάν οι οδηγίες της κουζίνας που είναι τοποθετημένα κάτω από τον απορροφητήρα καθορίζουν απόσταση μεγαλύτερη των 70 εκ., η απόσταση αυτή πρέπει να τηρείται.

**Προσοχή:**

Στην περίπτωση που η κουζίνα θερμαίνεται από συσκευή που είναι συνδεδεμένη σε καπνοδόχο (ένα φούρνο για παράδειγμα) πρέπει να γίνει εγκατάσταση της έκδοσης "recycling-ανακύκλωσης" του απορροφητήρα. Μη χρησιμοποιείτε τον απορροφητήρα χωρίς μεταλλικά φίλτρα.

Πρέπει να παρέχεται επαρκής εξαερισμός στο χώρο όταν ο απορροφητήρας χρησιμοποιείται ταυτόχρονα με συσκευές που χρησιμοποιούν υγραέριο ή άλλο αναφλέξιμο καύσιμο.

● ΠΕΡΙΒΑΛΛΟΝΤΙΚΗ ΠΡΟΣΤΑΣΙΑ

- Το υλικό της συσκευασίας της παρούσας συσκευής είναι ανακυκλώσιμο. Βοηθήστε στην ανακύκλωση του και προστατέψτε το περιβάλλον απορρίπτοντας τη στους δημοτικούς κάδους που προορίζονται για αυτό το σκοπό.

- Επίσης, η συσκευή σας καθεαυτή περιέχει ένα σημαντικό ποσοστό ανακυκλώσιμου υλικού. Φέρει τη σήμανση με αυτή την ετικέτα για να υποδηλώσει ότι οι μεταχειρισμένες συσκευές δεν πρέπει να αναμιγνύονται με άλλα σκουπίδια. Με αυτό τον τρόπο, η ανακύκλωση της συσκευής γίνεται σύμφωνα με την Ευρωπαϊκή Οδηγία 2002/96/EC σχετικά με την Απόρριψη Ηλεκτρικού και Ηλεκτρονικού Εξοπλισμού. Επικοινωνήστε με το δήμο ή με το λιανοπωλητή σας για τα σημεία περισυλλογής μεταχειρισμένων συσκευών που είναι πλησιέστερα στην κατοικία σας.



- Σας ευχαριστούμε για τη συμβολή σας στην προστασία του περιβάλλοντος.

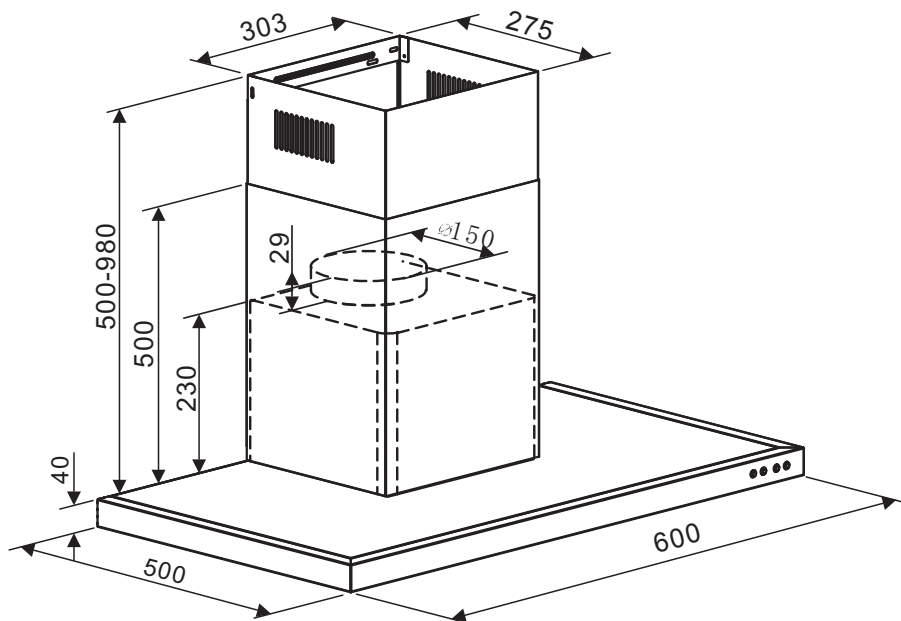
**Προειδοποίηση**

Η εγκατάσταση πρέπει να γίνεται μόνο από ειδικούς εγκατάστασης και ειδικευμένους τεχνικούς.

**Προειδοποίηση**

Αφαιρέστε την προστατευτική ταινία από το φυσίγγιο του φίλτρου πριν τη χρήση.

● ΠΕΡΙΓΡΑΦΗ ΤΗΣ ΣΥΣΚΕΥΗΣ ΣΑΣ

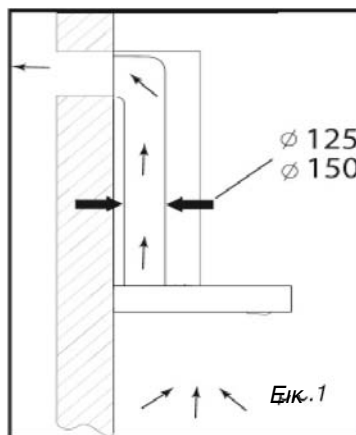


- Η συσκευή δεν πρέπει να είναι στην πρίζα στη διάρκεια της εγκατάστασης ή όταν εκτελούνται επισκευές ή συντήρηση.
- Σιγουρευτείτε ότι η τάση του ηλεκτρικού δικτύου συμφωνεί με την τάση που αναγράφεται στον πίνακα των ενδείξεων στο εσωτερικό του απορροφητήρα.
- Εάν η ηλεκτρική υποδομή στην κατοικία σας χρειάζεται αλλαγές προκειμένου να συνδεθεί η συσκευή σας, καλέστε επαγγελματία ηλεκτρολόγο.
- Εάν ο απορροφητήρας χρησιμοποιείται στη λειτουργία (evacuation-εκκένωσης), μη συνδέετε τη συσκευή σε αγωγό εξόδου αναφλέξιμου υγραερίου (σε λέβητα, καπνοδόχο, κλπ) ή σε σύστημα CMV (μηχανικά ελεγχόμενου εξαερισμού).
- Ο απορροφητήρας δεν πρέπει σε καμία περίπτωση να καταλήγει στη σοφίτα.
- Εγκαταστήστε τον απορροφητήρα σε ασφαλή απόσταση - τουλάχιστον 70 εκ από εστία ηλεκτρικού, υγραερίου ή συνδυαστική εστία μαγειρέματος.

● ΧΡΗΣΙΜΟΠΟΙΩΝΤΑΣ ΤΗ ΛΕΙΤΟΥΡΓΙΑ EVACUATION-ΕΚΚΕΝΩΣΗ

Στην περίπτωση που η έξοδος είναι σε εξωτερικό χώρο (εικ. 1)

Ο απορροφητήρας σας μπορεί να συνδεθεί σε αυτή την έξοδο χρησιμοποιώντας καπναγωγό (ελάχιστη διάμετρο \varnothing χιλ σε εμαγιέ, σε αλουμίνιο, εύκαμπτο ή από μη αναφλέξιμο υλικό). Εάν ο καπναγωγός σας είναι λιγότερα από 125χιλ σε διάμετρο, πρέπει να **χρησιμοποιήσετε τη λειτουργία recycling-ανακύκλωσης**.

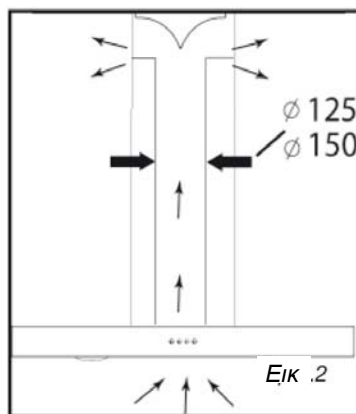


● ΧΡΗΣΗ ΤΗΣ ΛΕΙΤΟΥΡΓΙΑΣ RECYCLING ΑΝΑΚΥΚΛΩΣΗΣ

Στην περίπτωση που η έξοδος δεν είναι σε εξωτερικό χώρο (εικ. 2)

Όλες οι συσκευές μας μπορούν να χρησιμοποιηθούν στη λειτουργία recycling-ανακύκλωσης.

Σε αυτή την περίπτωση, πρέπει να προσθέσετε φίλτρο ενεργού άνθρακα το οποίο κρατάει τις οσμές (Δείτε την ενότητα 4: Αλλαγή του φίλτρου άνθρακα.)



📌 Συμβουλή εξοικονόμησης ενέργειας

Προσαρμόστε την ταχύτητα στον τρόπο μαγειρέματος και στον αριθμό των κατσαρολών. Δώστε προτεραιότητα στις πίσω εστίες της συσκευής μαγειρέματός σας.

● ΗΛΕΚΤΡΙΚΕΣ ΣΥΝΔΕΞΕΙΣ

Στη διάρκεια των διαδικασιών εγκατάστασης και συντήρησης, η συσκευή πρέπει να αποσυνδεθεί από την παροχή ρεύματος, και οι ηλεκτρικές ασφάλειες πρέπει να αφαιρεθούν ή να τεθούν εκτός λειτουργίας.

Οι ηλεκτρικές συνδέσεις προηγούνται της εγκατάστασης της συσκευής.

Σιγουρευτείτε ότι:

- το ηλεκτρικό δίκτυο προσφέρει επαρκή ηλεκτρική τάση,
- τα ηλεκτρικά καλώδια είναι σε καλή κατάσταση
- η διάμετρος των καλωδίων πληροί τις προϋποθέσεις της εγκατάστασης.



Προειδοποίηση

Η παρούσα συσκευή προσφέρεται με καλώδιο τροφοδοσίας H 05 VVF το οποίο αποτελείται από τρεις αγωγούς 0.75 mm² (ουδέτερο, φάση και γείωση). Πρέπει να συνδεθεί στην παροχή της κεντρικής τροφοδοσίας (η οποία πρέπει να είναι μονοφασικό ρεύμα 220-240 V) μέσω τυποποιημένης υποδοχής CEI 60083 η οποία πρέπει να είναι προσπελάσιμη και μετά την εγκατάσταση σύμφωνα με τις οδηγίες εγκατάστασης.

Δε θα καταστούμε υπόλογοι για οποιοδήποτε ατύχημα προκύψει από τη μη ύπαρξη ή από ελαττωματική γείωση. Η ηλεκτρική ασφάλεια για την εγκατάσταση πρέπει να είναι 10 ή 16A. Εάν το καλώδιο τροφοδοσίας είναι φθαρμένο, καλέστε το τμήμα υποστήριξης μετά την πώληση για την αποφυγή κινδύνου από το καλώδιο



Προειδοποίηση

Εάν το ηλεκτρικό δίκτυο στην κατοικία σας χρειάζεται τυχόν αλλαγές για να συνδεθεί η συσκευή σας, καλέστε επαγγελματία ηλεκτρολόγο.



Προειδοποίηση

Εάν ο απορροφητήρας παρουσιάζει δυσλειτουργίες, βγάλτε τη συσκευή από την πρίζα ή αφαιρέστε τις ασφάλειες που αντιστοιχούν στην ηλεκτρική υποδοχή της συσκευής σας.

● ΣΥΝΑΡΜΟΛΟΓΗΣΗ ΤΟΥ ΑΠΟΡΡΟΦΗΤΗΡΑ



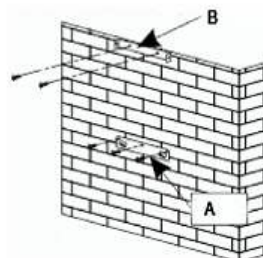
Προειδοποίηση

Ο απορροφητήρας πρέπει να εγκατασταθεί σύμφωνα με τους κανόνες που αφορούν τον εξαερισμό εγκαταστάσεων. Στη Γαλλία αυτοί οι κανόνες περιγράφονται στο DTU 61.1 από το CSTB. Συγκεκριμένα, ο αέρας που εκκενώνεται δεν πρέπει ποτέ να περιορίζεται σε αγωγό που χρησιμοποιείται για την απομάκρυνση καπνού από συσκευές που χρησιμοποιούν υγραέριο ή άλλα αναφλέξιμα καύσιμα. Οι αχρησιμοποίητοι αγωγοί μπορούν να χρησιμοποιηθούν μόνο κατόπιν εγκρίσεως αρμόδιου ειδικού.

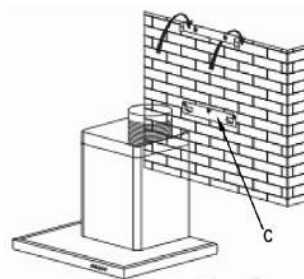
Η ελάχιστη απόσταση ανάμεσα στην επιφάνεια μαγειρέματος και στο χαμηλότερο τμήμα του απορροφητήρα πρέπει να είναι τουλάχιστον 70 εκατοστά. Εάν οι οδηγίες σχετικά με την τοποθέτηση ταψιού κάτω από τον απορροφητήρα υποδεικνύουν απόσταση μεγαλύτερη από 70 εκατοστά, αυτή η οδηγία πρέπει να τηρηθεί.

Στήριξη στον τοίχο:

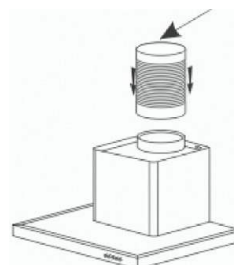
- Σημειώστε μία κάθετη γραμμή στον τοίχο στο κέντρο της κορυφής της εστίας μαγειρέματος.
- Σημαδέψτε στον τοίχο τις τρεις εσοχές που πρέπει να διανοιχτούν, χρησιμοποιώντας το συνοδευτικό άγκιστρο στήριξης του απορροφητήρα και τηρώντας την προτεινόμενη απόσταση.
- Διανοίξτε τις τρεις εσοχές διαμέτρου 8 χιλ στο κατάλληλο σημείο και εισάγετε τα βύσματα (τμήμα A Εικ. 1).
- Πριν τοποθετήσετε τον απορροφητήρα, μοντάρετε τη βαλβίδα μη επιστροφής στην έξοδο του μοτέρ
- Ασφαλίστε το πλαίσιο στήριξης του απορροφητήρα και σιγουρευτείτε ότι είναι τελείως οριζοντιωμένο. (τμήμα A Εικ. 1)
- Ρυθμίστε το επεκτάσιμο μανίκι εκκένωσης (δεν περιλαμβάνεται) στην έξοδο του μοτέρ χωρίς να εμποδίσετε την κίνηση της βαλβίδας



Εικ. 1



Εικ. 2



Εικ. 3

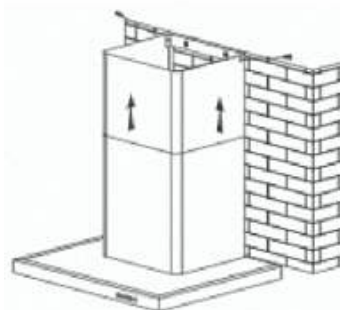
μη επιστροφής.

- Στηρίξτε και ασφαλίστε το σώμα στον απορροφητήρα σε αυτό το πλαίσιο στήριξης με τις βίδες που προορίζονται για αυτό το σκοπό.

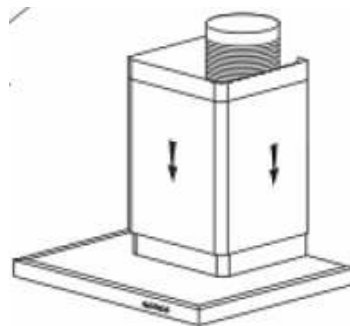
● ΣΥΝΑΡΜΟΛΟΓΗΣΗ ΤΟΥ ΦΡΕΑΡ ΕΞΑΕΡΙΣΜΟΥ

• Εξωτερική εκκένωση

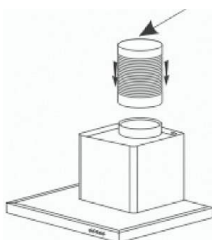
- Υπολογίστε το συνολικό ύψος για τη στήριξη του πλαισίου στήριξης U του αγωγού (τμήμα Β Εικ. 1)
- Σημαδέψτε αντίστοιχα τις δύο εσοχές
- Διανοίξτε εσοχές διαμέτρου 8 χιλ και ασφαλίστε το πλαίσιο στήριξης του αγωγού. Σιγουρευτείτε ότι στηρίζεται στον ίδιο άξονα με τον απορροφητήρα (τμήμα Β Εικ. 1)
- Τοποθετήστε το επίπεδο πλαίσιο κάτω από το χαμηλότερο τμήμα του αγωγού. (τμήμα C Εικ. 4).
- Τοποθετήστε τους δύο αγωγούς στον απορροφητήρα. (τμήμα Εικ. 5)
- Συνδέστε το μανίκι στην έξοδο του αεραγωγού εξωτερικά.
- Συνδέστε τον απορροφητήρα στο ηλεκτρικό ρεύμα χρησιμοποιώντας το κεντρικό καλώδιο τροφοδοσίας.
- Αφυψώστε τον άνω αγωγό στο ταβάνι και στηρίξτε το στο πλαίσιο χρησιμοποιώντας τις βίδες.



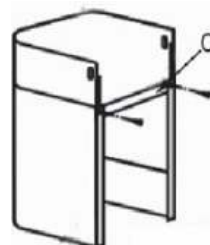
Εικ. 66



Εικ. 55



Εικ. 3



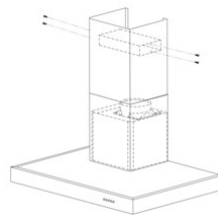
Εικ. 4

• Recycling-Ανακύκλωση

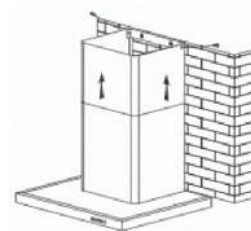
- Υπολογίστε το συνολικό ύψος για τη στήριξη του πλαισίου στήριξης U του αγωγού (τμήμα Β Εικ. 1).
- Σημαδέψτε τις δύο εσοχές.
- Ανοίξτε δύο εσοχές διαμέτρου 8 χιλ και ασφαλίστε το πλαίσιο στήριξης του αγωγού. Σιγουρευτείτε ότι στηρίζεται στον ίδιο άξονα με τον απορροφητήρα (τμήμα Β Εικ. 1).
- Στηρίξτε το επίπεδο πλαίσιο πίσω στο χαμηλότερο τμήμα του αγωγού C Εικ. 4).
- Τοποθετήστε τον προσαρμογέα του μανικιού στον ανακλαστήρα (Εικ. 8).
- Συνδέστε το επεκτάσιμο μανίκι (δεν περιλαμβάνεται) στον ανακλαστήρα (Εικ. 8).
- Τοποθετήστε τα δύο τμήματα του αγωγού πάνω στον απορροφητήρα. (Εικ. 5).
- Τοποθετήστε τον ανακλαστήρα (Εικ. 8) μέσα στον άνω αγωγό στις εισόδους του εξαερισμού (Εικ. 6)
- Συνδέστε τον απορροφητήρα στο ρεύμα χρησιμοποιώντας το κεντρικό καλώδιο τροφοδοσίας.
- Ανυψώστε τον άνω αγωγό στο ταβάνι και στηρίξτε το στο πλαίσιο χρησιμοποιώντας τις δύο βίδες (Εικ. 7).



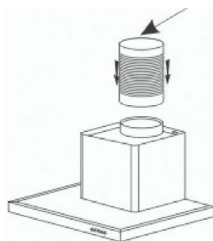
Εικ. 8



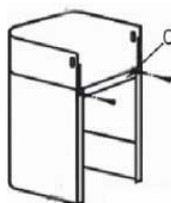
Εικ. 6



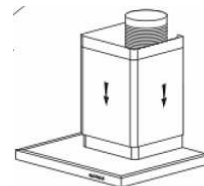
Εικ.777



Εικ. 3



Εικ. 4



Εικ 5 5

**Συμβουλή**

Για τη βέλτιστη απόδοση της συσκευής σας, σας προτείνουμε να συνδέσετε τον απορροφητήρα σε σωλήνα διαφυγής διαμέτρου 150 χιλ (δε συνοδεύει τη συσκευή). Διατηρήστε τον αριθμό των γωνιών και των στρεβλώσεων στο σωλήνα στο ελάχιστο. Στην περίπτωση που ο απορροφητήρας λειτουργεί χρησιμοποιώντας εξωτερική εκκένωση, σιγουρευτείτε ότι υπάρχει επαρκής εισροή φρέσκου αέρα για την αποφυγή ελλιπούς πίεσης στο δωμάτιο.

**Προειδοποίηση**

Μη χρησιμοποιείτε εργαλεία για να αφαιρέσετε την προστατευτική ταινία στον απορροφητήρα.

● ΧΡΗΣΗ ΤΟΥ ΑΠΟΡΡΟΦΗΤΗΡΑ

Πώς να χρησιμοποιήσετε τον πίνακα ελέγχου.

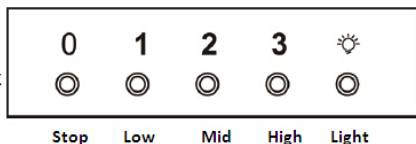
1. Πατήστε το κουμπί Διακοπή για να σταματήσετε το μοτέρ.

2. Πατήστε το κουμπί Χαμηλή για να λειτουργήσει το μοτέρ σε χαμηλή ταχύτητα.

3. Πατήστε το κουμπί Μέτρια για να λειτουργήσει το μοτέρ σε μέτρια ταχύτητα.

4. Πατήστε το κουμπί Υψηλή για να λειτουργήσει το μοτέρ σε υψηλή ταχύτητα.

5. Πατήστε το κουμπί Φως για να ανάψουν τα δύο φώτα. Πατήστε το πάλι για να σβήσετε το φως.

**Συμβουλή εξοικονόμησης ενέργειας**

Για βέλτιστη χρήση της συσκευής σας, περιορίστε όσο το δυνατόν περισσότερο τον αριθμό των κάμψεων και το μήκος της θωράκισης.

GR 4 / ΚΑΘΑΡΙΣΜΟΣ ΚΑΙ ΦΡΟΝΤΙΔΑ ΤΗΣ ΣΥΣΚΕΥΗΣ ΣΑΣ



Προειδοποίηση

Πριν από καθαρισμό ή την εκτέλεση άλλων διαδικασιών συντήρησης βγάξτε πάντοτε τον απορροφητήρα από την πρίζα. Η τακτική συντήρηση της συσκευής σας αποτελεί εγγύηση της σωστής λειτουργίας, της απόδοσης και της διάρκειας ζωής του προϊόντος.



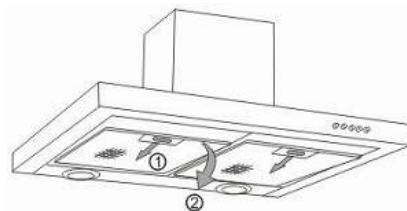
Προειδοποίηση

Η μη τήρηση των οδηγιών καθαρισμού της συσκευής και των φίλτρων μπορεί να προκαλέσει πυρκαγιά. Σας παρακαλούμε, όπως τηρήσετε τις συστάσεις που αναφέρονται στη συντήρηση.

● ΚΑΘΑΡΙΣΜΟΣ ΤΩΝ ΦΥΣΙΓΓΙΩΝ ΤΟΥ ΦΙΛΤΡΟΥ

Πρέπει να καθαρίζονται κατά προσέγγιση μετά από 30 ώρες λειτουργίας ή τουλάχιστον μία φορά το μήνα.

Χρησιμοποιήστε βούρτσα, καυτό νερό και μεσαίας δράσης απορρυπαντικό. Ξεβγάλετε τα και στεγνώστε τα πλήρως πριν τα τοποθετήσετε πίσω στη θέση τους στον απορροφητήρα.



● Αποσυναρμολόγηση του φυσιγγίου του φίλτρου

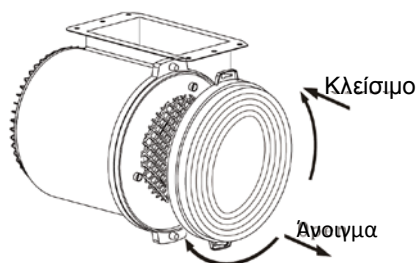
- Στρέψτε την ενσωματωμένη λαβή του φυσιγγίου του φίλτρου.
- Γείρετε το φυσιγγίο του φίλτρου προς τα κάτω.

● ΑΛΛΑΓΗ ΤΟΥ ΦΙΛΤΡΟΥ ΑΝΘΡΑΚΑ

(προαιρετική)

Αντικαταστήστε το μετά από περίπου 120 ώρες λειτουργίας.

- Αφαιρέστε το φυσιγγίο του φίλτρου.
- Στρέψτε το φίλτρο του άνθρακα για να το αφαιρέσετε.
- Επαναλάβετε τη διαδικασία αντίστροφα για να τοποθετήσετε στη θέση του το νέο φίλτρο.
- Επιστρέψτε στη θέση τους τα φυσιγγία του φίλτρου.



● ΚΑΘΑΡΙΣΜΟΣ ΤΩΝ ΕΞΩΤΕΡΙΚΩΝ ΕΠΙΦΑΝΕΙΩΝ

Για να καθαρίσετε το εξωτερικό του απορροφητήρα, χρησιμοποιήστε σαπουνόνερο, αλλά μη χρησιμοποιήσετε ποτέ λειαντικές κρέμες, διαβρωτικά απορρυπαντικά, συρμάτινα σφουγγαράκια ή βούρτσες. Σκουπίστε με απαλό, υγρό πανάκι.

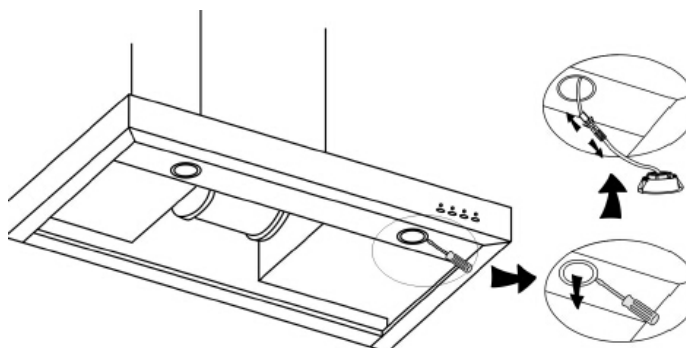
● ΑΛΛΑΓΗ ΤΗΣ ΛΑΜΠΑΣ ΦΩΤΙΣΜΟΥ



Προειδοποίηση
Πριν εκτελέσετε οποιαδήποτε εργασία, πρέπει να διακοπεί η τροφοδοσία ρεύματος στον απορροφητήρα, βγάζοντάς τη από την πρίζα είτε χρησιμοποιώντας το διακόπτη του ηλεκτρικού ρεύματος.

Μοντέλο με λάμπα αλογόνου

- Αφαιρέστε το κάλυμμα του φωτιστικού.
- Αλλάξτε τη λάμπα αλογόνου.
- Αντικαταστήστε τη λάμπα επαναλαμβάνοντας τα βήματα με την αντίστροφη σειρά.



**Προειδοποίηση**

Πριν εκτελέσετε οποιαδήποτε εργασία, πρέπει να διακοπεί η τροφοδοσία ρεύματος στον απορροφητήρα, βγάζοντάς τη από την πρίζα είτε χρησιμοποιώντας το διακόπτη του ηλεκτρικού ρεύματος.

● **ΣΥΝΤΗΡΗΣΗ ΤΗΣ ΣΥΣΚΕΥΗΣ ΣΑΣ**

ΣΥΝΤΗΡΗΣΗ	ΤΙ ΝΑ ΚΑΝΕΤΕ	ΠΡΟΙΟΝΤΑ/ΠΑΡΕΛΚΟΜΕΝΑ ΠΟΥ ΧΡΕΙΑΖΟΝΤΑΙ
Η άνω επιφάνεια και τα παρελκόμενα	Μη χρησιμοποιείτε συρμάτινα σφουγγαράκια, λειαντικά προϊόντα ή πολύ σκληρές βούρτσες.	Για να καθαρίσετε το σώμα και τη κάλυμμα του φωτιστικού, χρησιμοποιήστε μόνο οικιακά προϊόντα καθαρισμού του εμπορίου, διαλυμένα σε νερό και στη συνέχεια ξεβγάλετε με καθαρό νερό, και στεγνώστε τα με απαλό ύφασμα.
Φυσίγγιο φίλτρου	Αυτό το φίλτρο παγιδεύει υδατμούς λίπους και σκόνη. Το συγκεκριμένο εξάρτημα παίζει σημαντικό ρόλο στη διασφάλιση της αποτελεσματικής λειτουργίας του . απορροφητήρα Στην περίπτωση δύσκολων λεκέδων χρησιμοποιήστε μη λειαντική κρέμα, και ξεβγάλετε με καθαρό νερό.	Χρησιμοποιήστε οικιακό προϊόν καθαρισμού του εμπορίου και στη συνέχεια ξεβγάλετε με άφθονο νερό και στεγνώστε το. Αυτά τα φίλτρα καθαρίζονται σε κατακόρυφη θέση στο νιπτήρα σας. (Προσέξτε να μην έλθουν σε επαφή με βρώμικα πιάτα ή μαχαιροπήρουνα.)
Ενεργοποιημένο φίλτρο άνθρακα	Αυτό το φίλτρο παγιδεύει τις οσμές και πρέπει να καθαρίζεται τουλάχιστον μία φορά το χρόνο ανάλογα με το επίπεδο της χρήσης του. Πρέπει να παραγγείλετε αυτά τα φίλτρα από το μεταπωλητή σας (αναφέροντας τα στοιχεία του προϊόντος που αναγράφονται στο εσωτερικό του απορροφητήρα) και να	

	σημειώσετε την ημερομηνία αλλαγής του φίλτρου.	
--	--	--

ΣΥΜΠΤΩΜΑΤΑ	ΛΥΣΕΙΣ
Ο απορροφητήρας δε λειτουργεί...	<p>Σιγουρευτείτε ότι:</p> <ul style="list-style-type: none"> ● Δεν έχει διακοπεί η τροφοδοσία. ● Έχει επιλεγεί ταχύτητα λειτουργίας.
Ο απορροφητήρας δε λειτουργεί ικανοποιητικά...	<p>Σιγουρευτείτε ότι:</p> <ul style="list-style-type: none"> ● Η επιλεγμένη ταχύτητα του μοτέρ επαρκεί για τον καθαρισμό της ποσότητας του καπνού και των υδρατμών που εκλύονται. ● Η κουζίνα αερίζεται επαρκώς με φρέσκο αέρα. ● Το φίλτρου του άνθρακα δεν έχει φθορές (ο απορροφητήρας λειτουργεί στη λειτουργία της ανακύκλωσης-recycling)
Ο απορροφητήρας σταμάτησε να λειτουργεί.	<p>Σιγουρευτείτε ότι:</p> <ul style="list-style-type: none"> ● Δεν έχει διακοπεί η τροφοδοσία. ● Δεν έχει ενεργοποιηθεί η συσκευή διακοπής μονής πόλωσης.

Οποιαδήποτε συντήρηση του εξοπλισμού σας πρέπει να εκτελείται από:

- το μεταπωλητή σας,
- ή ειδικευμένο μηχανικό που είναι εξουσιοδοτημένος για τις συσκευές της συγκεκριμένης μάρκας. Όταν κανονίσετε ραντεβού, αναφέρετε τα πλήρη στοιχεία του εξοπλισμού σας (μοντέλο, τύπος και σειριακό αριθμό). Οι πληροφορίες βρίσκονται στην ετικέτα του κατασκευαστή που είναι προσκολλημένη στον εξοπλισμό σας.

Αυτή η συσκευή συμμορφώνεται με τους κανονισμούς (ΕΕ) 65/2014 και 66/2014 της Ευρωπαϊκής Επιτροπής σχετικά με τις απαιτήσεις για τον οικολογικό σχεδιασμό και την ενεργειακή σήμανση των οικιακών απορροφητήρων.

Μάρκα	Σύμβολο Τιμή		Μονάδα
	Brandt		
Αριθμός μοντέλου	AD1515X		
Ετήσια κατανάλωση ενέργειας	AEC	56,1	kWh/annum
Δείκτης ενεργειακής απόδοσης	EEi	62,5	-
Μεταβλητός δυναμικός δείκτης απόδοσης	FDE	24,3	-
Δείκτης απόδοσης φωτισμού	LE	30,4	-
Απόδοση φίλτραρίσματος λίπους	GFE	77,2	-
Συντελεστής αύξησης χρόνου	f	1,1	-
Μέγιστη ογκομετρική ροή του αέρα του απορροφητήρα	Q _{max}	586,3	m ³ /h
Ογκομετρική ροή του αέρα στο καλύτερο σημείο απόδοσης	Q _{BEP}	321,6	m ³ /h
Στατική πίεση στο καλύτερο σημείο απόδοσης	P _{BEP}	354	P
Κατανάλωση ρεύματος στο καλύτερο σημείο απόδοσης	W _{BEP}	130,3	W
Ονομαστική κατανάλωση ρεύματος του συστήματος φωτισμού	W _L	5,2	W
Μέσος φωτισμός του συστήματος φωτισμού	E _{middle}	158	Lux/W
Κατανάλωση ρεύματος όταν η συσκευή είναι σβηστή	P _o	0	W
Κατανάλωση ρεύματος σε κατάσταση αναμονής	P _s	-	W
Ογκομετρική ροή του αέρα στη μέγιστη ρύθμιση της ταχύτητας σε κανονική λειτουργία	-	586,3	m ³ /h
Ογκομετρική ροή του αέρα στην ελάχιστη ταχύτητα σε κανονική λειτουργία	-	360,2	m ³ /h
Ογκομετρική ροή του αέρα σε Εντατική λειτουργία/λειτουργία Boost.	-	-	m ³ /h
Εκπομπές ήχου στη μέγιστη ρύθμιση ταχύτητας σε κανονική λειτουργία	-	70	dB(LWA)
Εκπομπές ήχου στην ελάχιστη ρύθμιση ταχύτητας σε κανονική λειτουργία	-	60	dB(LWA)
Εκπομπές ήχου σε Εντατική λειτουργία/λειτουργία Boost	-	-	dB(LWA)

هذا الجهاز متوافق مع اللوائح المفوضة (الاتحاد الأوروبي) رقم 2014/65 و 2014/66 من اللجنة الأوروبية،
بخصوص مقتضيات التصميم البيئي وملصقات الطاقة للشفطات المنزلية.

رمز	قيمة	وحدة	علامة تجارية
Brandt			
AD1515X			الرقم التسلسلي للمنتج
الاستهلاك السنوي من الطاقة	56.1	AEC	الرقم التسلسلي للمنتج
فئة كفاءة الطاقة	62.5	EEI	الاستهلاك السنوي من الطاقة
مؤشر كفاءة ديناميكا السوائل	24.3	FDE	فئة كفاءة الطاقة
مؤشر كفاءة الإضاءة	30.4	LE	مؤشر كفاءة ديناميكا السوائل
مؤشر كفاءة التشيخ	77.2	GFE	مؤشر كفاءة الإضاءة
عامل الزيادة مع مرور الوقت	1.1	F	مؤشر كفاءة التشيخ
أقصى معدل للهواء في الشفط	586.3	Q _{max}	عامل الزيادة مع مرور الوقت
معدل الهواء عند نقطة الكفاءة القصوى	321.6	Q _{BEP}	أقصى معدل للهواء في الشفط
ضغط الهواء عند نقطة الكفاءة القصوى	354	P _{BEP}	معدل الهواء عند نقطة الكفاءة القصوى
استهلاك عند نقطة الكفاءة القصوى	130.3	W _{BEP}	ضغط الهواء عند نقطة الكفاءة القصوى
استهلاك نظام الإضاءة للطاقة	5.2	W _L	استهلاك عند نقطة الكفاءة القصوى
إنارة متوسطة لنظام الإضاءة	158	E _{middle}	استهلاك نظام الإضاءة للطاقة
استهلاك الطاقة عند التوقف	0.00	P _o	إنارة متوسطة لنظام الإضاءة
استهلاك الطاقة في وضع الاستعداد	--	P _s	استهلاك الطاقة عند التوقف
معدل الهواء عند السرعة القصوى في الاستخدام العادي	586.3	-	استهلاك الطاقة في وضع الاستعداد
معدل الهواء عند السرعة الدنيا في الاستخدام العادي	360.2	-	معدل الهواء عند السرعة القصوى في الاستخدام العادي
معدل الهواء في الوضع المكثف أو التقوية	--	-	معدل الهواء عند السرعة الدنيا في الاستخدام العادي
الصوت المنبعث عند السرعة القصوى في الاستخدام العادي	70	-	معدل الهواء في الوضع المكثف أو التقوية
الصوت المنبعث عند السرعة الدنيا في الاستخدام العادي	60	-	الصوت المنبعث عند السرعة القصوى في الاستخدام العادي
الصوت المنبعث في الوضع المكثف	--	-	الصوت المنبعث عند السرعة الدنيا في الاستخدام العادي

1- قسم المستهلكين في فرنسا

لمعرفة المزيد عن منتجاتنا أو الاتصال بنا، يمكنك:

زيارة موقعنا: www.brandt.fr

راسلونا على العنوان البريدي التالي:

خدمة عملاء BRANDT
avenue des Bethunes 5
CS69526 SAINT OUEN
L'AUMONE 95060 CERGY
PONTOISE CEDEX

الاتصال بنا من الإثنين إلى الجمعة من الساعة 8:30 صباحا وحتى 6 مساء على:

0 892 02 88 01 Service 0,50 € / min
+ prix appel

تدقيق: د. الشوك فريد بنفينا، شريك مؤسس من شركة بيليفير أس دال باند 011.111.111 بيليفير س جال لخدمة
والشركاء التوزيعي 110011100.

2- الإصلاحات في فرنسا

يجب أن تتم الإصلاحات المحتملة في الجهاز بمعرفة مهني مؤهل ومعتمد من الماركة. أثناء الاتصال، ومن أجل تسهيل معالجة الطلب، ليكن معك الأرقام التسلسلية الكاملة للجهاز (الرقم التسلسلي التجاري والرقم التسلسلي لخدمة ما بعد البيع والرقم التسلسلي). توجد هذه المعلومات على لوحة البيانات.



أو



1	2	3	4	5	6	7	8	9	10
SERVICE :	TYPE :								
No. :									

B: لرقم التوزيع التجاري
C: لرقم التوزيع لخدمة ما بعد البيع
H: لرقم التوزيع

يمكنك الاتصال بنا من يوم الإثنين إلى يوم السبت من الساعة 8 صباحا وحتى الساعة 8 مساء على رقم:

09 69 39 25 25 Service gratuit
+ prix appel

**قطع الغيار الأصلية:**

أثناء الإصلاح، اطلب تركيب قطع غيار أصلية فقط ومعتمدة في بلد المنشأ.

الحلول	الخلل
<p>تحقق مما يلي:</p> <ul style="list-style-type: none"> • ليس هناك انقطاع للتيار. • تم بالفعل اختيار سرعة. 	المصباح لا يعمل
<p>تحقق مما يلي:</p> <ul style="list-style-type: none"> • السرعة المختارة للموتور كافية بالنسبة لكمية الدخان والبخار المتصاعد. • المطبخ به تهوية كافية للسماح بمرور الهواء. • فلتر الفحم غير مستخدم (الشفاط في وضع إعادة التدوير). 	كفاءة الشفاط غير كافية...
<p>تحقق مما يلي:</p> <ul style="list-style-type: none"> • ليس هناك انقطاع للتيار. • جهاز فصل التيار متعدد الأقطاب لم يعمل. 	الشفاط توقف أثناء التشغيل.

انتبه  قبل القيام بأي إصلاح، يجب فصل الشفط عن الكهرباء، إما بسحب القابس، وإما بتثغيل قاطع التيار.

• صيانة جهازك

المنتجات / الملحقات المستخدمة	كيفية التصرف؟	الصيانة...
لتنظيف الهيكل وكوة الإضاءة، استخدم فقط منظفات منزلية من المتجر مذابة في ماء، ثم اشطف بالماء الصافي وامسح بقطعة قماش ناعمة.	لا تستخدم مطلقاً ليفة معدنية ولا مواد كاشطة ولا فرشاة خشنة.	الغطاء والملحقات
باستخدام منظف منزلي من المتجر، ثم اشطف بالماء الغزير وجفف. يمكن إجراء هذا التنظيف في غسالة أطباق في وضع رأسي (لا يتلامس مع الأواني المتسخة أو أدوات المائدة الفضية)	يقوم هذا الفلتر بحجز الأبخرة الدهنية والأتربة. وهو العنصر الذي يضمن جزءاً كبيراً من فعالية الشفط. في حالة البقع العنيدة، يمكنك استخدام كريم غير كاشط، ثم اشطف بالماء الصافي.	الفلتر الصندوقي
	يقوم هذا الفلتر بحجز الروائح ويجب تغييره على الأقل كل عام وفقاً لاستخدامك. اطلب هذه الفلاتر من الوكيل (بالرقم التسلسلي المبين على لوحة البيانات الموجودة داخل الشفط) واكتب تاريخ التغيير.	فلتر الفحم النشط

• تنظيف السطح الخارجي

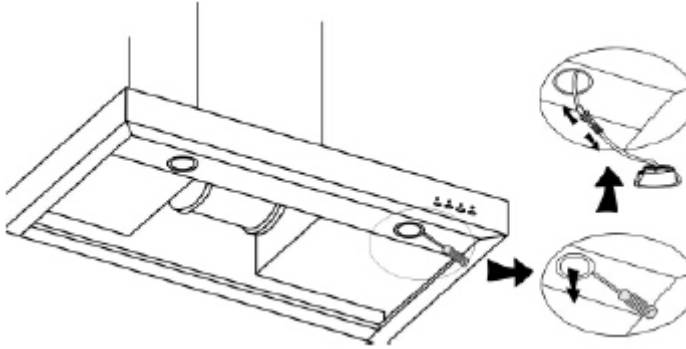
لتنظيف السطح الخارجي للشفاط، استخدم الماء والصابون، ولا تستخدم كريم للجلي أو منظفات مسببة للتآكل ولا اسفنجة كاشطة أو فرشاة. امسح بقطعة قماش رطبة وناعمة.

• تغيير المصباح

انتبه  افضل الجهاز عن الكهرباء أثناء تغيير المصباح، إما بسحب القابس، وإما بتشغيل قاطع التيار.

موديل لمصباح LED

- اسحب الكوة
- قم بتغيير المصباح الـ LED.
- أعد كل شيء لمكانه بإجراء العملية بترتيب معكوس.



انتبه



افصل الكهرباء عن الجهاز قبل القيام بصيانة الجهاز وتنظيفه. الصيانة المنتظمة للجهاز هي ضمان لحسن التشغيل، وللعائد والاستمرارية.

انتبه

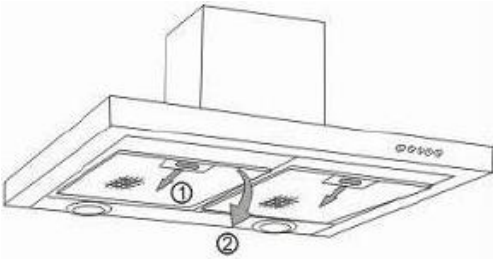


عدم مراعاة تعليمات تنظيف الجهاز والفلاتر يمكن أن يتسبب في حدوث حرائق. يرجى مراعاة تعليمات الصيانة بدقة.

• تنظيف الفلاتر الصندوقية

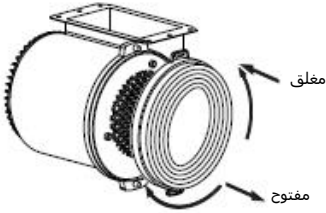
يجب تنظيفها بعد كل 30 ساعة استخدام تقريباً أو مرة شهرياً على الأقل. يجب أن يتم هذا التنظيف في غسالة أطباق في وضع رأسي.

استخدم فرشاة وماء ساخن ومنظف ناعم. اشطفهم وحفظهم بعناية قبل تركيبهم.



• فك الفلتر الصندوقي

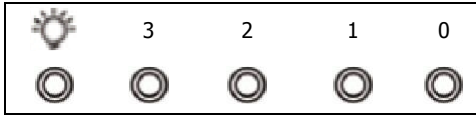
- قم بتحريك المقبض الموجود في الفلتر الصندوقي.
- قم بإمالة الفلتر الصندوقي نحو الأسفل.



• تغيير فلتر الفحم

- استبدله بعد كل 120 ساعة استخدام تقريباً.
- اسحب الفلاتر الصندوقية.
- قم بلف فلتر الفحم لسحبه.
- اعكس خطوات العملية لتركيب فلتر جديد.
- أعد وضع الفلاتر الصندوقية.

• وصف المفاتيح



إيقاف منخفضة متوسطة سريعة الإضاءة

زر انضغاطي

1. اضغط على الزر فيتوقف الموتور.
 2. اضغط على زر السرعة المنخفضة، فينطلق التنبيه الصوتي مرة ويلف الموتور على سرعة منخفضة.
 3. اضغط على زر السرعة المتوسطة، فينطلق التنبيه الصوتي مرة ويلف الموتور على سرعة متوسطة.
 4. اضغط على زر السرعة العالية، فينطلق التنبيه الصوتي مرة ويلف الموتور على سرعة عالية.
- اضغط على زر الإضاءة فتضيء اللمبتان.
اضغط مجددًا فينطفئان.

نصيحة لتوفير الطاقة



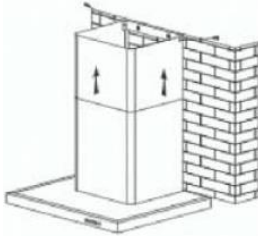
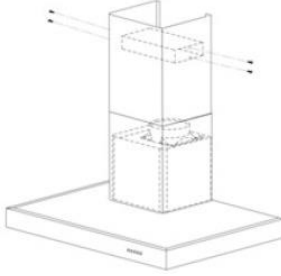
اضبط السرعة على وضع الطهي وعلى عدد الأواني. يُفضل استخدام الشعلات الخلفية للموقد.

إعادة التدوير

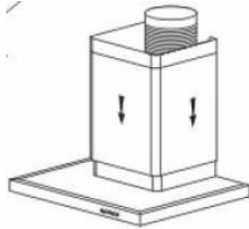
- احسب الارتفاع النهائي لتثبيت الرباط الطوقي لحامل المدخنة.
- ارسم الثقيبين في المكان المناسب.
- قم بعمل ثقيبين مفاًس 8 مم وقم بتثبيت الرباط الطوقي لحامل المدخنة من الانتباه أن يكون في محور الشفاط.
- قم بتثبيت الرباط الطوقي المسطح خلف المدخنة السفلي.
- قم بتركيب محول الغطاء على اللوح الحارف (شكل 8).
- قم بتوصيل الغطاء المرن باللوح الحارف.
- ضع المدخنة المكونة من جزئين على الشفاط (شكل 5).
- قم بتركيب اللوح الحارف (شكل 8) في المدخنة العلوية على مستوى فتحات التهوية (شكل 6).
- قم بالتوصيلات الكهربائية للشفاط باستخدام كابل الكهرباء.
- ارفع المدخنة العلوية حتى السقف وقم بتثبيتها بالرباط الطوقي باستخدام البرغيين.



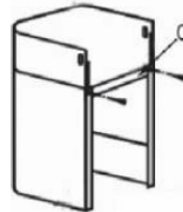
شكل 8




شكل 6



شكل 5



شكل 4

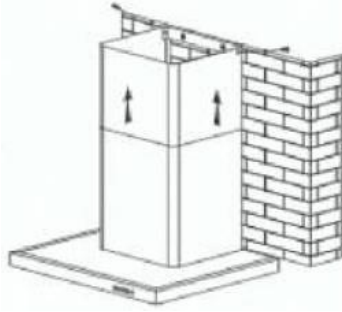
نصيحة  من أجل الاستخدام الأمثل لجهازك، نحن ننصحك بالتوصيل بغطاء بقطر 150 مم (غير مُباع مع الجهاز). قلل إلى أقصى حد عدد الأكواع وطول الغطاء. في حالة ما إذا كان الشفاط يعمل في وضع التصريف الخارجي، ينبغي توفير مصدر تيار هواء كافٍ لتجنب انخفاض الضغط في الغرفة.

انتبه  لا تستخدم أدوات لنزع طبقة الحماية الشفافة على الجوانب.

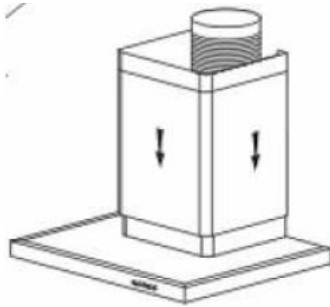
• تركيب المدخنة

• تصريف خارجي

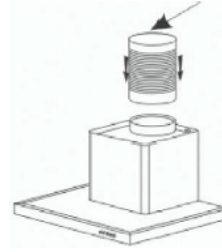
- احسب الارتفاع النهائي لتثبيت الرباط الطوقي على شكل حرف U لحامل المدخنة (غرفة B شكل 1).
- ارسم الثقبين في المكان المناسب.
- قم بعمل ثقبين مقاس 8 مم وقم بتثبيت الرباط الطوقي لحامل المدخنة من الانتباه أن يكون في محور الشفاط (غرفة B شكل 1).
- قم بتثبيت الرباط الطوقي المسطح خلف المدخنة السفلي.
- ضع المدختين على الشفاط (شكل 5).
- قم بتوصيل غطاء مخرج الهواء نحو الخارج.
- قم بالتوصيلات الكهربائية للشفاط باستخدام كابل الكهرباء.
- ارفع المدخنة العلوية حتى السقف وقم بتثبيتها بالرباط الطوقي باستخدام البراغي.



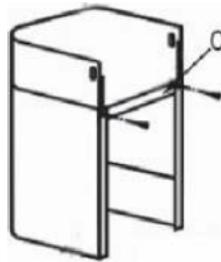
شكل 6



شكل 5

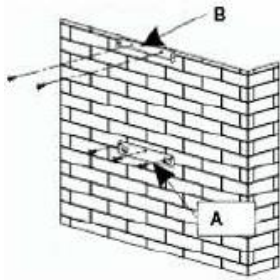


شكل 3

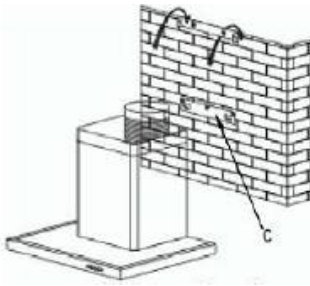


شكل 4

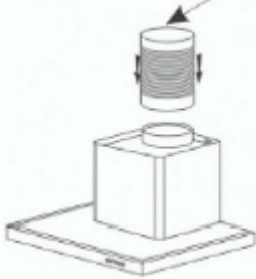
• تركيب الشفاط



شكل 1



شكل 2



شكل 3

انتبه



يجب أن يكون التركيب مطابق للقواعد السارية الخاصة بتهوئة الأماكن. في فرنسا، هذه القواعد مبنية في الوثيقة الفنية الموحدة 61.1 في المركز العلمي والتقني للبناء. وخاصة، لا يجب إرسال الهواء المصرف إلى مجرى مستخدم لإخراج الأبخرة المتصاعدة من الأجهزة التي تستخدم الغاز أو أي مادة أخرى قابلة للاشتعال. لا يجب استخدام قنوات غير مخصصة لهذا الغرض إلا بعد موافقة متخصص كفاء.

الحد الأدنى من المسافة بين الموقد والجزء السفلي من الشفاط يجب أن يكون 70 سم. إذا كانت تعليمات تركيب الموقد تحدد مسافة أكبر من 70 سم، فيجب أن تؤخذ في الاعتبار.

التثبيت على الحائط:

- ارسم خط على الحائط، في الوسط وعلى وضع رأسي من الموقد.
- ارسم على الحائط الثقوب الثلاثة التي يجب أن تثبتهم عند استخدام مشبك تعليق الشفاط المُباع ومع مراعاة المسافة الموصى بها (غرفة A شكل 1).
- اثقب ثلاثة ثقوب قطر 8 مم في المكان المناسب وأدخل الدُسر.
- قبل توصيل الشفاط، قم بتركيب الصمام منع الرجوع على مخرج الموتور.
- قم بتثبيت حامل تثبيت الشفاط مع الحرص على أن يكون في وضع مستوي (غرفة A شكل 1).
- قم بتثبيت غطاء التصريف المرن (غير مُباع) على مخرج الموتور دون عرقلة حركة صمام منع الرجوع (شكل 3).
- ضع جسم الشفاط ثم ثبته على هذا الحامل بالبراغي المخصص لذلك (شكل 2).

• التوصيل الكهربائي

أثناء التركيب وعند إجراء عمليات الصيانة، يجب فصل الجهاز عن الشبكة الكهربائية؛ كما يجب قطع المنصهرات أو سحبها.

يتم إجراء التوصيلات الكهربائية قبل تثبيت الجهاز داخل قطعة الأثاث.

تحقق مما يلي:

- قوة التركيب كافية،
- خطوط التغذية بالكهرباء في حالة جيدة،
- قُطر الأسلاك مطابق لقواعد التركيب.

انتبه



تُباع هذا الجهاز مع كابل كهرباء H 05 WF بثلاثة أسلاك قُطر 0.75 مم² (محايد وكهرباء وأرضي). يجب توصيله على شبكة كهربية 220 - 240 فلت أحادية الفازة عن طريق مقبس كهربائي يتوافق مع المعيار CEI 60083 والذي يجب أن يكون الوصول إليه متاحًا بعد التركيب، وفقًا لقواعد التركيب.

نحن غير مسؤولين في حالة وقوع أي حادث ناتج عن عدم القيام بالتوصيل الأرضي أو المعيب أو غير الصحيح. يجب أن يكون منصهر المنزل 10 أو 16 أمبير. إذا كان كابل الكهرباء تالفًا، استدعي خدمة العملاء من أجل تجنب الخطر.

انتبه



إذا كانت التركيبات الكهربائية في منزلك تحتاج أية تغييرات حتى تتمكن من توصيل الكهرباء إلى جهازك، اتصل بكهربائي متخصص.

انتبه



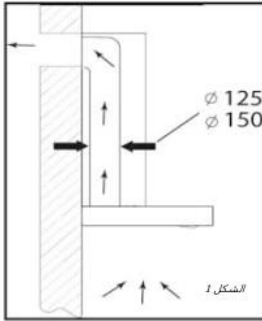
إذا تعطل الشفط في أي حال من الأحوال، افصل الجهاز أو قم بإزالة المنصهر المقابل لخط توصيل الشفط بالكهرباء.

- يجب فصل الجهاز أثناء التركيب أو في حالة الإصلاح.
- تحقق أن جهد شبكة الكهرباء يتوافق مع الجهد المذكور على لوحة البيانات الموجودة داخل الشفاط.
- إذا كانت التركيبات الكهربائية في منزلك تحتاج أية تغييرات حتى تتمكن من توصيل الكهرباء إلى جهازك، اتصل بكهربائي متخصص.
- إذا كان الشفاط مُستخدمًا في وضع التصريف، لا تقم بتوصيل الجهاز بأنبوب تصريف أدخنة الاحتراق (غلاية، مدخنة، إلخ...) أو تهوية ميكانيكية يتم التحكم فيها.
- مجرى التصريف، مهما كان، لا يجب أن يصرّف إلى سقف غرفة .
- قم بتركيب الشفاط على مسافة أمان لا تقل عن 70 سم من الموقد الكهربائي أو الغازي أو المختلط.

• الاستخدام في وضع التصريف

لديك مخرج نحو الخارج

(شكل 1).

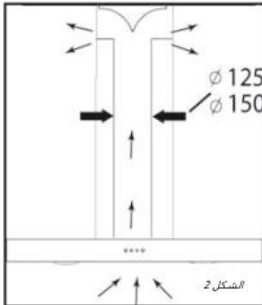


يمكن توصيل الشفاط عليه عن طريق أنبوب تصريف (قطر 125 مم على الأقل، مطلي بالمينا، من الألومنيوم، مرن أو من مادة غير قابلة للاشتعال). إذا كان قطر الأنبوب أقل من 125 مم، يجب الانتقال إخباريًا إلى وضع إعادة التدوير.

• الاستخدام في وضع إعادة التدوير

ليس لديك مخرج نحو الخارج

(شكل 2).

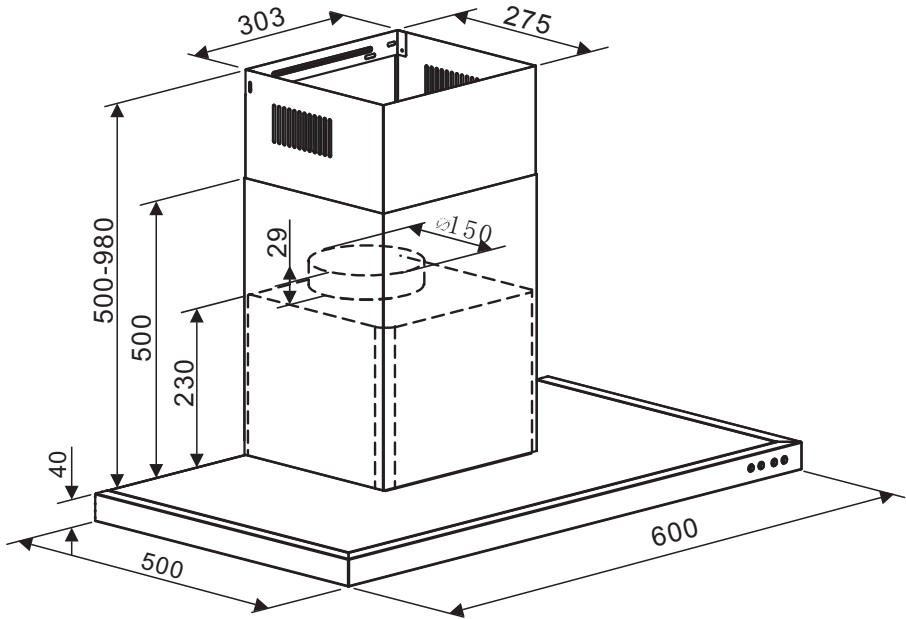


كل أجهزتنا لديها إمكانية العمل في وضع إعادة التدوير. في هذه الحالة، أضف فلتر فحم نشط يحجز الروائح. (انظر فصل 4: تغيير فلتر الفحم)

نصيحة لتوفير الطاقة

للاستخدام الأمثل للجهاز، قلل إلى أقصى حد عدد الأكواع وطول الغطاء.

• وصف الجهاز




• احترام البيئة

- مواد تغليف هذا الجهاز يمكن إعادة تدويرها. شارك في إعادة تدويرها، وساهم بذلك في حماية البيئة من خلال إيداعها في حاويات البلدية المخصصة لهذا الغرض.
- يحتوي الجهاز أيضا على العديد من المواد القابلة للتدوير. ولذلك تم وضع هذا الشعار عليه إشارةً إلى أن الأجهزة المستخدمة لا يجب خلطها مع النفايات الأخرى. سوف يتم إعادة تدوير الأجهزة التي تنتجها الشركة المصنعة في أفضل ظروف، وفقا للتوجيه الأوروبي رقم CE/96/2002 الخاص بالنفايات الكهربائية والإلكترونية.
- توجّه إلى البلدية أو للبائع لمعرفة نقاط جمع الأجهزة المستعملة الأقرب من منزلك.
- شكرا لتعاونكم في حماية البيئة.



انتبه  يقوم بعملية التركيب حصريًا فنيو التركيب والفنيون المتخصصون.

انتبه  قبل استخدام الفلتر الصندوقي للمرة الأولى، اسحب* طبقة الحماية.

- إذا وُضع الشفاط فوق أجهزة تعمل بالغاز، يجب ألا تقل المسافة بين الجزء العلوي من الموقد والجانب السفلي من الشفاط عن 70 سم. إذا كانت تعليمات تركيب الموقد تحدد مسافة أكبر من 70 سم، فيجب أن تؤخذ في الاعتبار.

هام:



في حالة مطبخ يتم تدفئته بواسطة جهاز متصل بمدخنة (مثال: مقلاة)، لا بد من تركيب الشفاط في وضع إعادة التدوير. لا تستخدم الشفاط بدون الفلاتر الصندوقية. يجب توفير تهوية مناسبة للغرفة عند استخدام شفاط المطبخ في ذات الوقت مع أجهزة تستخدم الغاز أو غيره من المواد القابلة للاحتراق.

لإجلاء الأبخرة المتصاعدة من الأجهزة التي تستخدم الغاز أو أي مادة أخرى قابلة للاشتعال (لا ينطبق على الأجهزة التي تقوم فقط بإعادة توزيع الهواء في الغرفة).

- يجب توفير تهوية مناسبة للغرفة عند استخدام شفاط المطبخ في ذات الوقت مع أجهزة تستخدم الغاز أو غيره من المواد القابلة للاحتراق لا ينطبق على الأجهزة التي تقوم فقط بإعادة توزيع الهواء في الغرفة).

خطر الحريق

- يُحظر إشعال النار في أطعمة أو تشغيل عيون الغاز بدون أواني للطهي أسفل الشفاط (فاللهب الذي يلتقطه قد يؤدي إلي تدمير الجهاز).
- عند قلبي الطعام أسفل الجهاز، يجب وجود متابعة مستمرة. الزيوت والدهون التي تصل إلى درجة حرارة مرتفعة جدا قد تشتعل.
- يجب مراعاة معدل تنظيف واستبدال الفلاتر. فتراكم الشحوم قد يسبب حريقاً.
- التشغيل أعلى موقد الطهي الذي يعمل بـ (خشب، فحم...) غير مسموح به.

أخطار كهربائية

- قبل بلوغ نقطة توصيل الكهرباء، يجب فصل كل دوائر التغذية الكهربائية. في حالة تلف كابل الكهرباء، يجب أن يستبدل بمعرفة الشركة المصنعة، أو خدمة ما بعد البيع أو بمعرفة شخص مؤهل على نحو مماثل لتجنب التعرض للخطر.
- يمكن فصل الدوائر من خلال قابس التيار أو من خلال وضع قاطع للتيار في الأسلاك الثابتة وفقًا لقواعد التركيب.
- لا تقم بتعديل أو بمحاولة تعديل خصائص هذا الجهاز. قد يشكل هذا خطرًا عليكم.
- يجب أن تتم الإصلاحات بمعرفة متخصص معتمد فقط.
- احرص دائمًا على فصل الشفاط قبل تنظيفه أو صيانته.
- لا تستخدم أجهزة البخار أو الضغط العالي لتنظيف جهازك (متطلبات متعلقة بالسلامة الكهربائية).

خطر الاحتراق

- يجب مراعاة القواعد المتعلقة بتفريغ الهواء. لا ينبغي أن يُرسل الهواء إلى مجرى مستخدم

احتياطات هامة

- هذا الفرن مصمم للاستخدام المنزلي بواسطة الأفراد. لا تستخدمه لأغراض تجارية أو صناعية أو لأغراض أخرى غير تلك التي صُمم من أجلها.
- عند استلام الجهاز، قم بإخراجه من الكرتون أو اطلب إخراجه في الحال. تحقق من شكله العام. ثم قم بتدوين أي تحفظات كتابياً على مذكرة التسليم التي ستحتفظ بنسخة منها.
- يمكن استخدام هذا الجهاز من قبل الأطفال على ألا يقل سنهم عن ثماني سنوات وأيضاً من قبل الأشخاص ذوي المهارات البدنية والحسية أو العقلية المحدودة أو الأشخاص قليلي الخبرة أو المعرفة، بشرط أن يخضعوا للإشراف السليم أو أن يتم إعطاؤهم التعليمات الخاصة بالجهاز وبسلامتهم وأن يتم تجنب أي نوع من المخاطر. لا ينبغي أن يعث الأطفال بالجهاز. يجب ألا يتم تنظيف أو صيانة الجهاز من قبل الأطفال دون الخضوع للإشراف.
- انتبه: قد تصبح الأجزاء الظاهرة من الجهاز ساخنة عند استعماله مع أجهزة الطهي.

هام:

يُرجى الاحتفاظ بهذا الدليل مع الجهاز، في حالة بيع الجهاز أو التنازل عنه لشخص آخر، يُرجى التأكد من إرفاق دليل التعليمات هذا به. شكرا لقراءة هذه التعليمات قبل تركيب واستخدام الجهاز. فقد تمت كتابتها للحفاظ على سلامتك وسلامة الآخرين.

إجراءات السلامة والاحتياطات الهامة

هذا الدليل مُتاح أيضًا على الموقع الإلكتروني لشركة برانديت. شكرا لقراءة هذه التعليمات قبل تركيب واستخدام الجهاز. فقد تمت كتابتها للحفاظ على سلامتك وسلامة الآخرين. احتفظ بهذا الدليل مع جهازك. في حالة بيع الجهاز أو التنازل عنه لشخص آخر، يُرجى التأكد من إرفاق دليل التعليمات هذا به.

- بُغية التحسين المستمر لمنتجاتنا، نحتفظ بالحق في إجراء أي تعديلات على خصائصها التقنية أو الوظيفية أو الجمالية المتعلقة بتطورها التقني.
- للعثور بسهولة على المراجع الخاصة بجهازك، ننصح بالبحث عنها في صفحة "الخدمة والتعامل مع العملاء".

1 / إشعار إلى المستخدم

- تعليمات السلامة _____ % (
- احترام البيئة _____ % -
- وصف الجهاز _____ % ,

2 / تركيب الجهاز

- الاستخدام في وضع التصريف _____ % +
- الاستخدام في وضع إعادة التدوير _____ % +
- التوصيل الكهربائي _____ % *
- تركيب الشفاط _____ %)
- تركيب المدخنة _____ %)
- تصريف خارجي _____ % (
- إعادة التدوير _____ % ')

3 / طريقة استخدام الجهاز

- وصف المفاتيح _____ % &

4 / صيانة وتنظيف الجهاز


- تنظيف الفلاتر الصندوقية _____ % %
- تغيير فلتر الفحم _____ % %
- تنظيف السطح الخارجي _____ % \$
- تغيير المصباح _____ % \$
- صيانة جهازك _____ % + -

5 / أعطال التشغيل _____ % + ,

6 / خدمة ما بعد البيع

- الإصلاحات _____ % + +
- قسم المستهلكين _____ % + +

تُغية التحسين المستمر لمنتجاتنا، نحتفظ بالحق في إجراء أي تعديلات على خصائصها التقنية أو الوظيفية أو الجمالية المتعلقة بتطورها التقني.

هام:  قبل استخدام الجهاز، يرجى قراءة دليل التركيب والاستخدام بعناية للتعرف بسرعة أكبر على طريقة تشغيله.